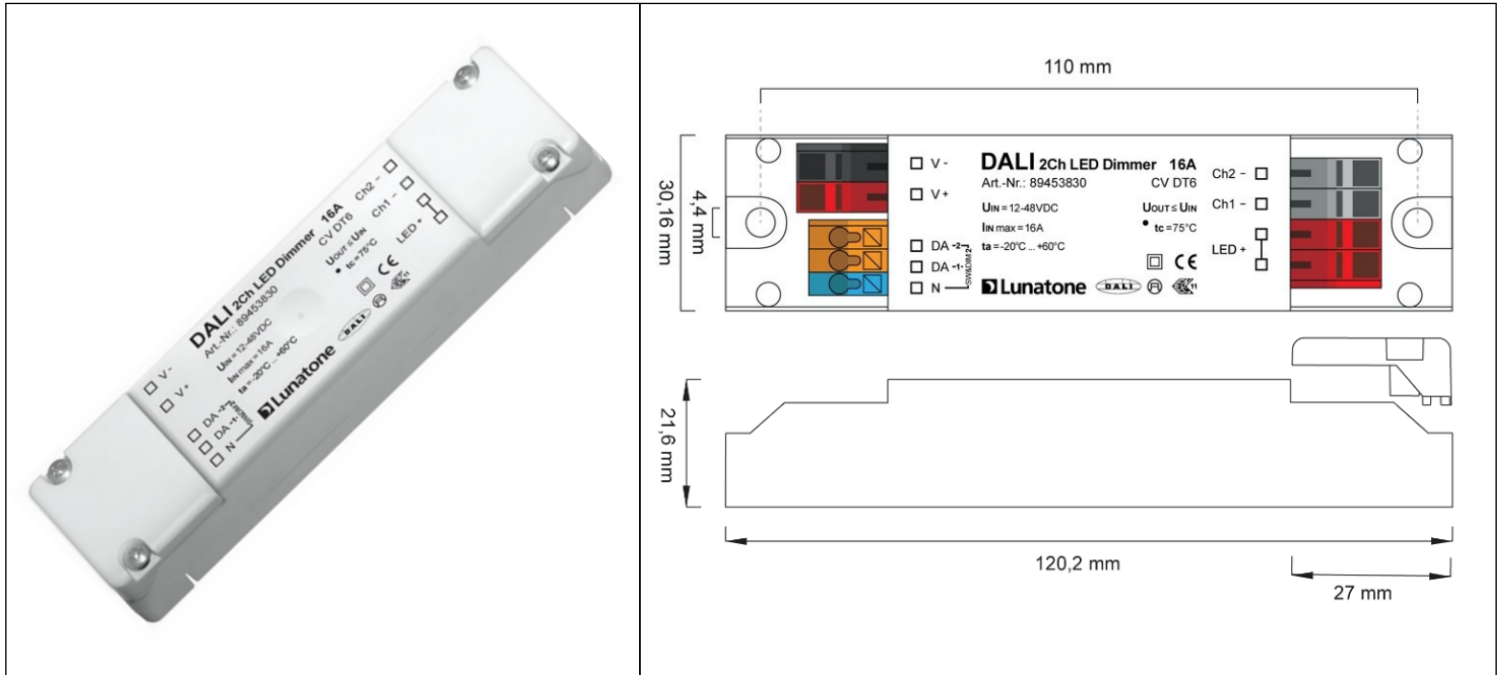


ECG.0040.1 DATA-SHEET



PRODUCT DESCRIPTION:

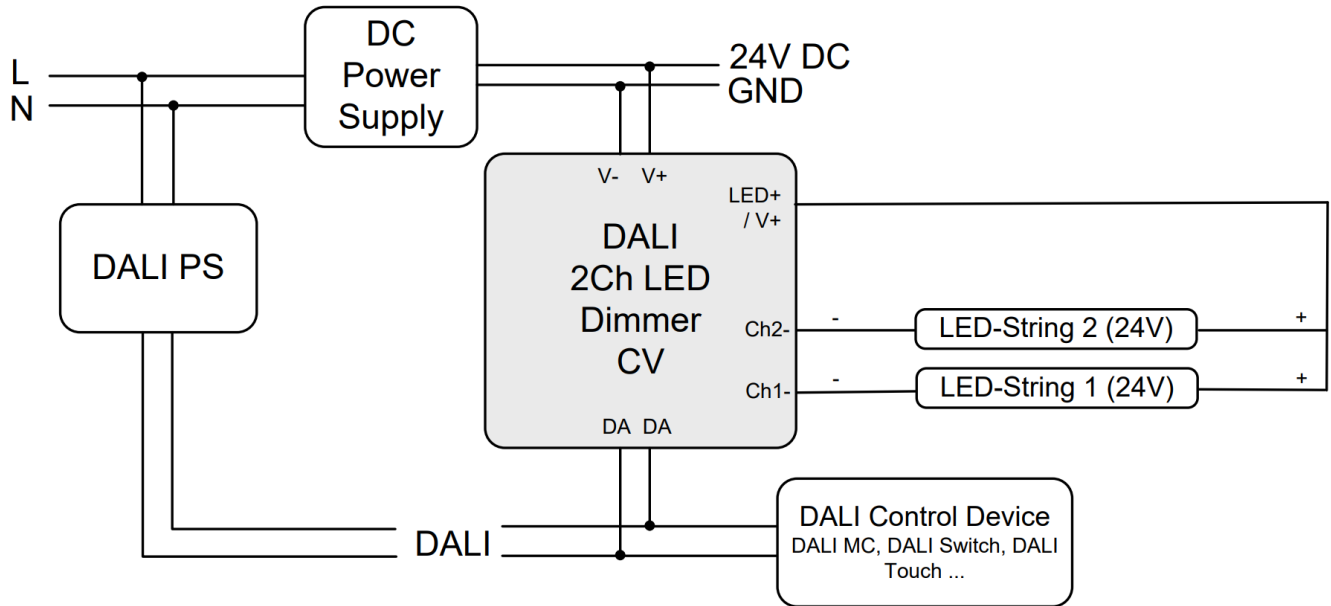
2 channel DALI LED-Dimmer, suitable for constant voltage LED modules.
Low standby power consumption, high efficiency.

TECHNICALS FEATURES:

supply voltage	24 Vdc
max output current	16A x 2 channels
max output power	768 W
control input	DALI-2 compatible
operating mode	DT6 (individual channel control via 2 DALI addresses)
current consumption DALI	2 mA
dimming range	0,1%-100%
ambient temperature	-20 ÷ 60 °C
expected lifetime (at Tc<=75°C)	>100000h
protection class	IP20
max connecting wire cross section	2,5 mm ² / DALI: 1,5 mm ²
dimensions (LxWxH)	120x30x22 mm
weight	150g



DALI



OPERATING MODE:

In this operating mode each channel can be controlled by its own DALI address (Device type 6).

