

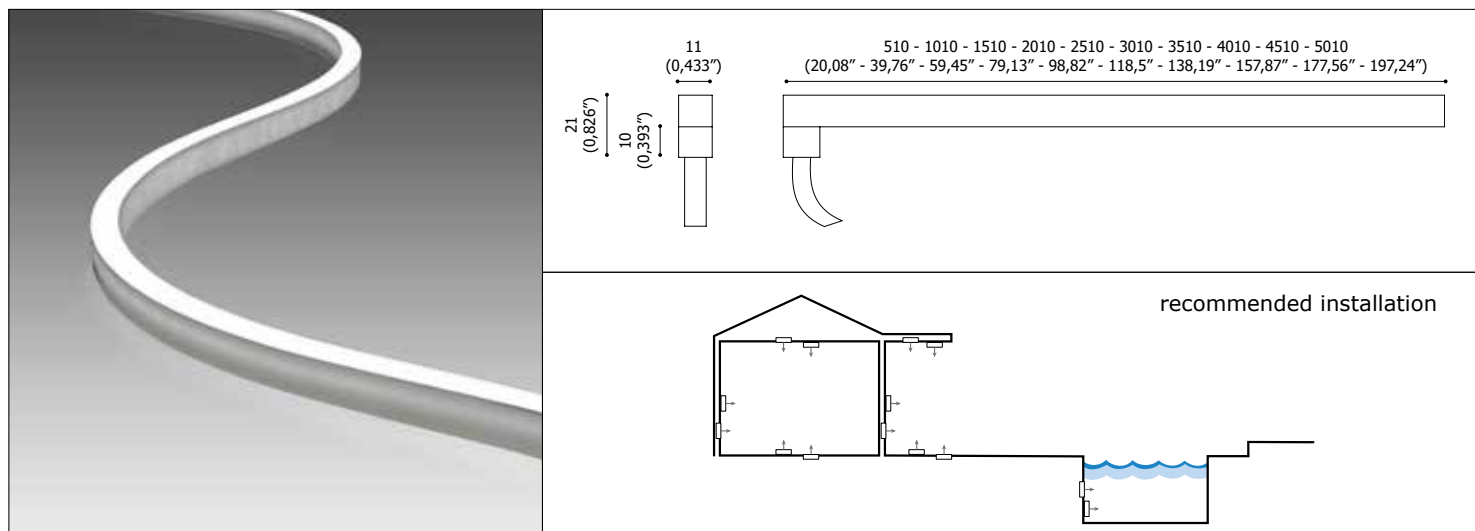
ALDABRA

PROFESSIONAL EXTERIOR LIGHTING

FLEXI 11x11 side MONOCHROMATIC

DATA-SHEET

Made in Italy



PRODUCT DESCRIPTION:

Professional side bendable lighting fixture for indoor and outdoor installation.
Body made in flexible nano-polymer. UV resistance of all materials. The product is cuttable.

TECHNICALS FEATURES:

Materials	Nano-polymer resins
Power Supply	24 Vdc constant voltage ($\pm 5\%$)
Power	10 W/m
Light Source	240 SMD LED/m
Pitch	4,16 mm (0,164")
Colour Temperature	2700 K; 3000 K; 3500 K; 4500 K
Lifetime	> 50000 h (TM21)
Optics	Transparent or opal diffuser
Tc body	< 75 °C (167 °F)
Ta operating temperature	- 30 ÷ 50 °C (-22 ÷ 122 °F)
Ts surface temperature	≤ 65 °C (149 °F)
Ti suitable installation temperature	15 ÷ 40 °C (59 ÷ 104 °F)
Storage temperature	-30 ÷ 85 °C (-22 ÷ 185 °F)
Functions	On/Off ; dimmable
Cable	AWM style 20233 2x 0,75mm ² AWG18 (red-black) ext ø 5,2 mm (0,205") L. 1 m (3,28 ft)
Weigth	142 g/m (1,52 oz/ft)
Installations	Recessed or surface mounted (floor, wall, ceiling)
Norms	IEC 60598 ; IEC 60598-1



NOTE:

Power supplies, control&dimming devices and fixing kits must to be orderd separately. Aldabra power supply consumption is equal to 15% of the fixture nominal power.
Photometric data available at www.aldabra.it

Specifications are subject to change without notice.

www.aldabra.it

ALDABRA

PROFESSIONAL EXTERIOR LIGHTING

FLEXI 11x11 side MONOCHROMATIC

DATA-SHEET

GENERAL FEATURES:

	power (W)	length mm (in)	pitch mm (in)
FLX.53.XXXW1.0	5	510 (20,08") +/- 1,5 mm (0,059")	4,16 (0,164")
FLX.54.XXXW1.0	10	1010 (39,76") +/- 3 mm (0,118")	4,16 (0,164")
FLX.55.XXXW1.0	15	1510 (59,45") +/- 4,5 mm (0,177")	4,16 (0,164")
FLX.56.XXXW1.0	20	2010 (79,13") +/- 6 mm (0,236")	4,16 (0,164")
FLX.57.XXXW1.0	25	2510 (98,82") +/- 7,5 mm (0,295")	4,16 (0,164")
FLX.58.XXXW1.0	30	3010 (118,5") +/- 9 mm (0,354")	4,16 (0,164")
FLX.59.XXXW1.0	35	3510 (138,19") +/- 10,5 mm (0,413")	4,16 (0,164")
FLX.60.XXXW1.0	40	4010 (157,87") +/- 12 mm (0,472")	4,16 (0,164")
FLX.61.XXXW1.0	45	4510 (177,56") +/- 13,5 mm (0,531")	4,16 (0,164")
FLX.62.XXXW1.0	50	5010 (197,24") +/- 15 mm (0,59")	4,16 (0,164")

Special version on request up to 10 m in length

OPTICAL FEATURES:

FLX.XX.DXXW1.0	Opal diffuser
FLX.XX.TXXW1.0	Transparent diffuser

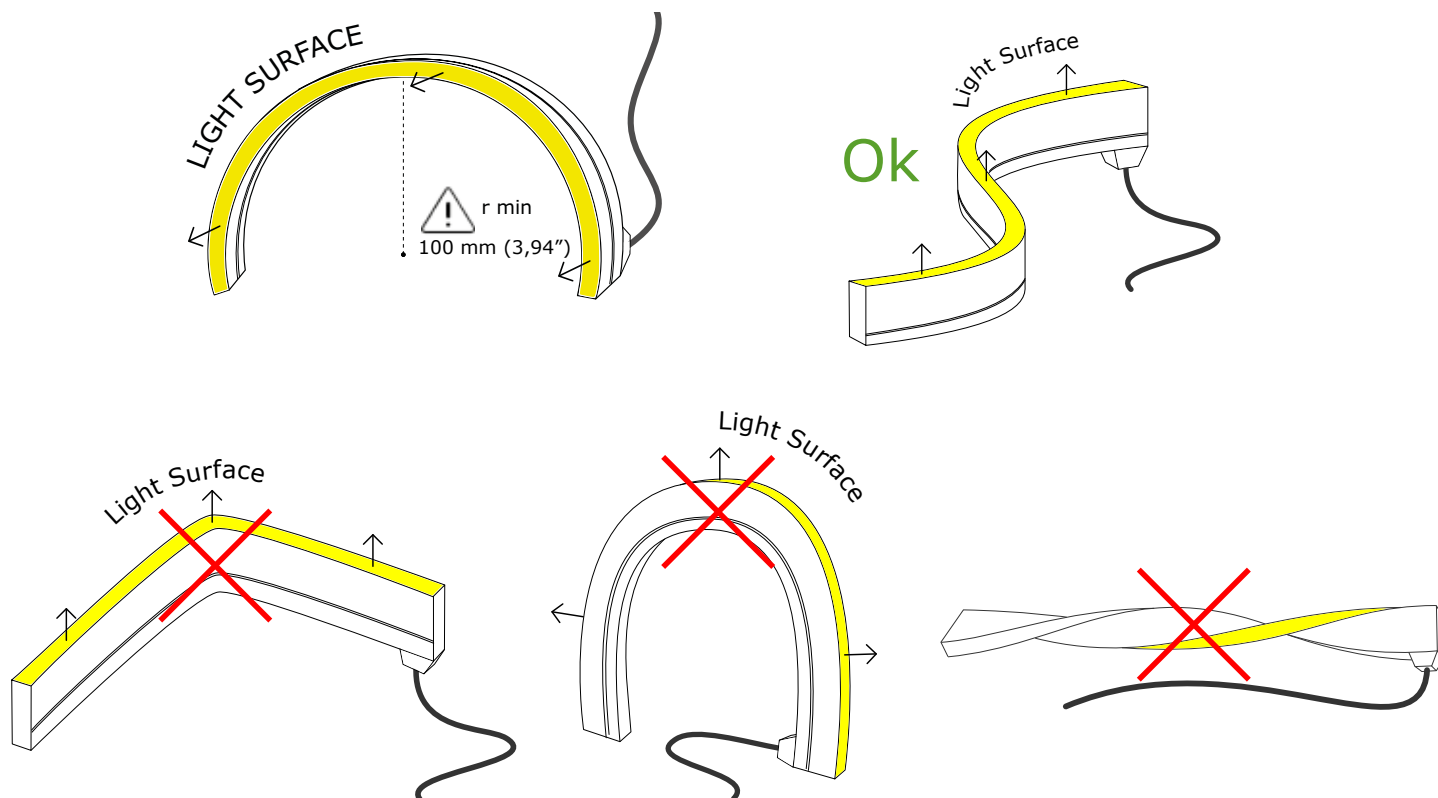
LED FEATURES:

	Mid Power LED	lm/m*	Ra	Chromatic selection
FLX.XX.X27W1.0	2700K warm white	TBD	>80	MacAdam 3-step
FLX.XX.X30W1.0	3000K warm white	TBD	>80	MacAdam 3-step
FLX.XX.X35W1.0	3500K neutral white	TBD	>80	MacAdam 3-step
FLX.XX.X45W1.0	4500K cool white	TBD	>80	MacAdam 3-step

*delivered luminous flux (opal)

FINISHES FEATURES:

FLX.XX.XXXW1.0	Matt white
----------------	------------



ALDABRA

PROFESSIONAL EXTERIOR LIGHTING

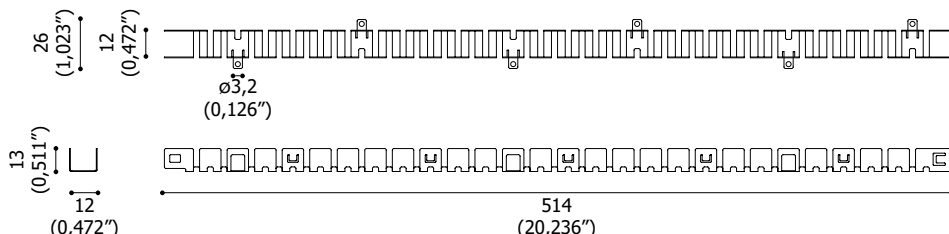
FLEXI 11x11 side MONOCHROMATIC

DATA-SHEET

RECESSING BOX:

CSF.0115.0

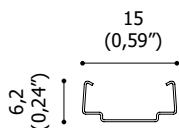
modular connectable/cuttable recessing box in stainless steel (10 pieces package - 5 m - 16,4 ft)



ACCESSORIES:

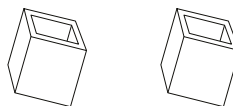
ACC.0355.0

Fixing spring - 5 pieces package



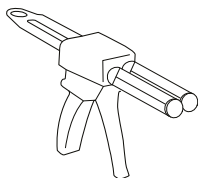
ACC.0358.0

Sealing kit - 5 pieces package



ACC.0360.0

Sealing gun



ACC.0361.0

Sealant cartridge

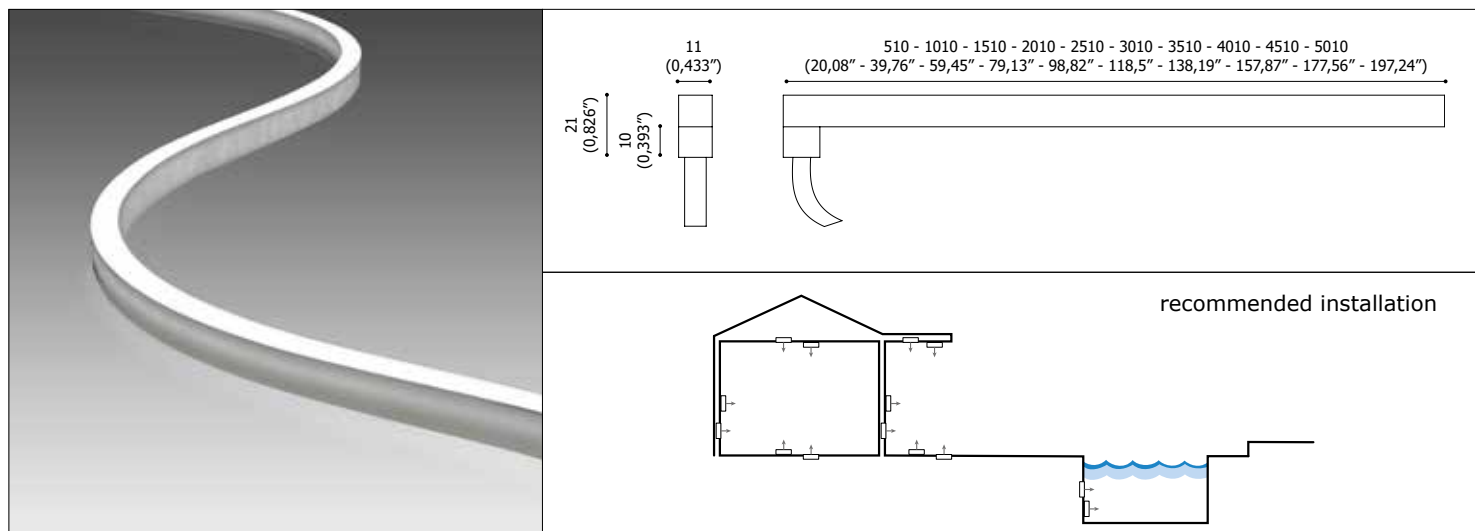


GENERAL INFORMATIONS:

Kindly note that atmospheric agents (such as lightnings, etc) , electrostatics charges or disturbances on the installation not caused by Aldabra lighting fixtures and Led drivers indicated by Aldabra itself, may cause damages on the fixtures. It is necessary that the electrical installation where the LED lighting fittings and their power supply units and control gears are installed must be equipped with proper devices for the protection and suppression of transient phenomena (SPD, isolation transformer, etc...). Such devices must be coordinated with the other protections of the installation; on this theme, it's necessary to refer to the electrical installations norms which are in force in each country.

FLEXI 11x11 side RGB

DATA-SHEET



PRODUCT DESCRIPTION:

Professional side bendable lighting fixture for indoor and outdoor installation. Body made in flexible nano-polymer. UV resistance of all materials. The product is cuttable.

TECHNICALS FEATURES:

Materials	Nano-polymer resins
Power Supply	24 Vdc constant voltage (±5%)
Power	10 W/m
Light Source	120 SMD LED/m
Pitch	8,3 mm (0,326")
Colour Temperature	RGB
Lifetime	> 50000 h (TM21)
Optics	Transparent or opal diffuser
Tc body	< 75 °C (167 °F)
Ta operating temperature	- 30 ÷ 50 °C (-22 ÷ 122 °F)
Ts surface temperature	≤ 65 °C (149 °F)
Ti suitable installation temperature	15 ÷ 40 °C (59 ÷ 104 °F)
Storage temperature	-30 ÷ 85 °C (-22 ÷ 185 °F)
Functions	On/Off ; dimmable
Cable	AWM style 20233 1x 0,75 mm ² AWG18 (red) + 3x 0,5 mm ² AWG20 (red-black/green-black/blue-black) ext ø 6,5 mm (0,256") L. 1 m (3,28 ft)
Weigth	142 g/m (1,52 oz/ft)
Installations	Recessed or surface mounted (floor, wall, ceiling)
Norms	IEC 60598 ; IEC 60598-1



NOTE:

Power supplies, control&dimming devices and fixing kits must to be orderd separately. Aldabra power supply consumption is equal to 15% of the fixture nominal power. Photometric data available at www.aldabra.it

FLEXI 11x11 side RGB

DATA-SHEET

GENERAL FEATURES:

	power (W)	length mm (in)	pitch mm (in)
FLX.53.X90W1.0	5	510 (20,08") +/- 1,5 mm (0,059")	8,3 (0,326")
FLX.54.X90W1.0	10	1010 (39,76") +/- 3 mm (0,118")	8,3 (0,326")
FLX.55.X90W1.0	15	1510 (59,45") +/- 4,5 mm (0,177")	8,3 (0,326")
FLX.56.X90W1.0	20	2010 (79,13") +/- 6 mm (0,236")	8,3 (0,326")
FLX.57.X90W1.0	25	2510 (98,82") +/- 7,5 mm (0,295")	8,3 (0,326")
FLX.58.X90W1.0	30	3010 (118,5") +/- 9 mm (0,354")	8,3 (0,326")
FLX.59.X90W1.0	35	3510 (138,19") +/- 10,5 mm (0,413")	8,3 (0,326")
FLX.60.X90W1.0	40	4010 (157,87") +/- 12 mm (0,472")	8,3 (0,326")
FLX.61.X90W1.0	45	4510 (177,56") +/- 13,5 mm (0,531")	8,3 (0,326")
FLX.62.X90W1.0	50	5010 (197,24") +/- 15 mm (0,59")	8,3 (0,326")

Special version on request up to 10 m in length

OPTICAL FEATURES:

FLX.XX. D90W1.0	Opal diffuser
FLX.XX. T90W1.0	Transparent diffuser

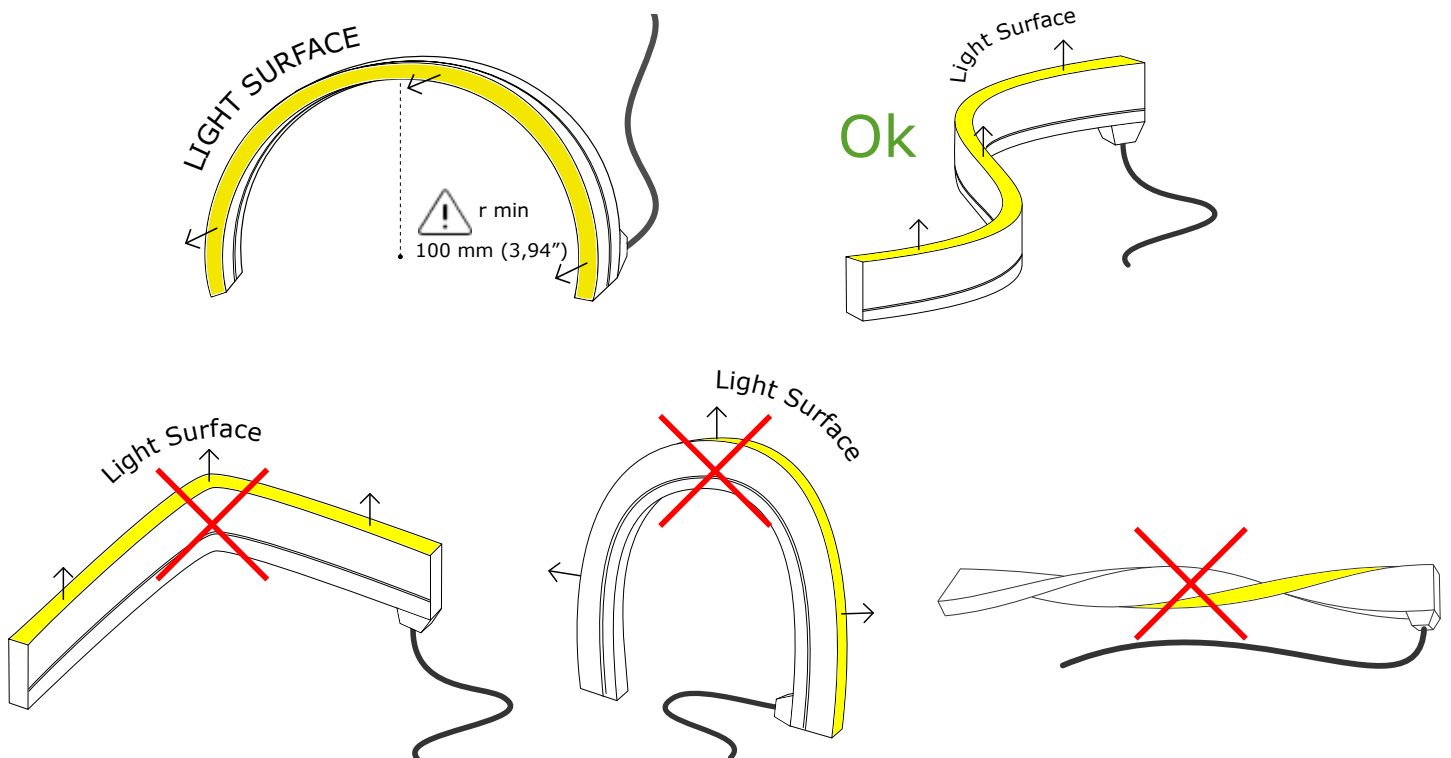
LED FEATURES:

	Signal LED	lm/W*
FLX.XX.X 90W1.0	R, G, B	TBD

*delivered luminous flux (opal)

FINISHES FEATURES:

FLX.XX.X 90W1.0	Matt white
------------------------	------------



ALDABRA

PROFESSIONAL EXTERIOR LIGHTING

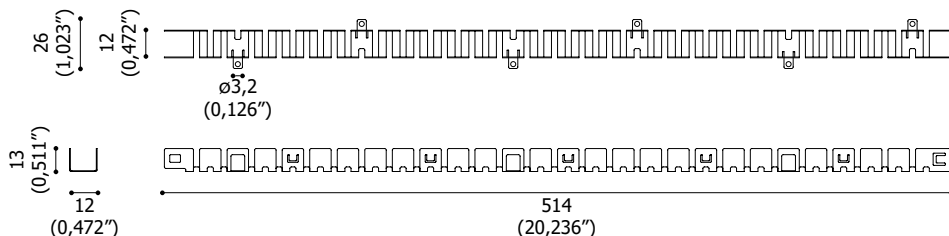
FLEXI 11x11 side RGB

DATA-SHEET

RECESSING BOX:

CSF.0115.0

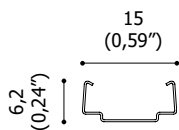
modular connectable/cuttable recessing box in stainless steel (10 pieces package - 5 m - 16,4 ft)



ACCESSORIES:

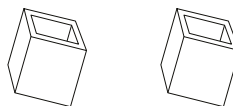
ACC.0355.0

Fixing spring - 5 pieces package



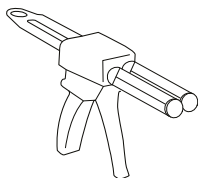
ACC.0358.0

Sealing kit - 5 pieces package



ACC.0360.0

Sealing gun



ACC.0361.0

Sealant cartridge

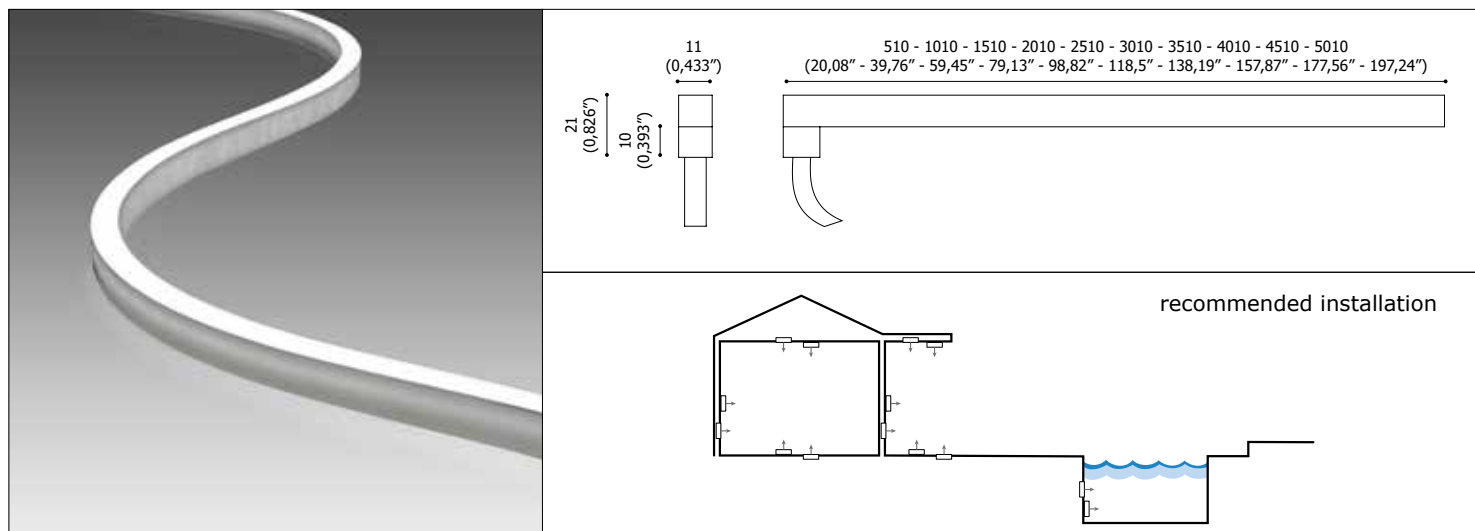


GENERAL INFORMATIONS:

Kindly note that atmospheric agents (such as lightnings, etc) , electrostatics charges or disturbances on the installation not caused by Aldabra lighting fixtures and Led drivers indicated by Aldabra itself, may cause damages on the fixtures. It is necessary that the electrical installation where the LED lighting fittings and their power supply units and control gears are installed must be equipped with proper devices for the protection and suppression of transient phenomena (SPD, isolation transformer, etc...). Such devices must be coordinated with the other protections of the installation; on this theme, it's necessary to refer to the electrical installations norms which are in force in each country.

FLEXI 11x11 side dws

DATA-SHEET



PRODUCT DESCRIPTION:

Professional side bendable lighting fixture for indoor and outdoor installation.
Body made in flexible nano-polymer. UV resistance of all materials. The product is cuttable.

TECHNICALS FEATURES:

Materials	Nano-polymer resins
Power Supply	24 Vdc constant voltage ($\pm 5\%$)
Power	10 W/m
Light Source	120 SMD LED/m
Pitch	8,3 mm (0,326'')
Colour Temperature	DWS 3000 K \div 8000 K
Lifetime	> 50000 h (TM21)
Optics	Transparent or opal diffuser
Tc body	< 75 °C (167 °F)
Ta operating temperature	- 30 \div 50 °C (-22 \div 122 °F)
Ts surface temperature	\leq 65 °C (149 °F)
Ti suitable installation temperature	15 \div 40 °C (59 \div 104 °F)
Storage temperature	-30 \div 85 °C (-22 \div 185 °F)
Functions	On/Off ; dimmable
Cable	AWM style 20233 2x 0,75 mm ² AWG18 (red-black) + 1x 0,5 mm ² AWG20 (violet) ext \varnothing 6 mm (0,236'') L. 1 m (3,28 ft)
Weigth	142 g/m (1,52 oz/ft)
Installations	Recessed or surface mounted (floor, wall, ceiling)
Norms	IEC 60598 ; IEC 60598-1



NOTE:

Power supplies, control&dimming devices and fixing kits must to be orderd separately. Aldabra power supply consumption is equal to 15% of the fixture nominal power.
Photometric data available at www.aldabra.it

ALDABRA

PROFESSIONAL EXTERIOR LIGHTING

FLEXI 11x11 side dws

DATA-SHEET

GENERAL FEATURES:

	power (W)	length mm (in)	pitch mm (in)
FLX.53.X98W1.0	5	510 (20,08") +/- 1,5 mm (0,059")	8,3 (0,326")
FLX.54.X98W1.0	10	1010 (39,76") +/- 3 mm (0,118")	8,3 (0,326")
FLX.55.X98W1.0	15	1510 (59,45") +/- 4,5 mm (0,177")	8,3 (0,326")
FLX.56.X98W1.0	20	2010 (79,13") +/- 6 mm (0,236")	8,3 (0,326")
FLX.57.X98W1.0	25	2510 (98,82") +/- 7,5 mm (0,295")	8,3 (0,326")
FLX.58.X98W1.0	30	3010 (118,5") +/- 9 mm (0,354")	8,3 (0,326")
FLX.59.X98W1.0	35	3510 (138,19") +/- 10,5 mm (0,413")	8,3 (0,326")
FLX.60.X98W1.0	40	4010 (157,87") +/- 12 mm (0,472")	8,3 (0,326")
FLX.61.X98W1.0	45	4510 (177,56") +/- 13,5 mm (0,531")	8,3 (0,326")
FLX.62.X98W1.0	50	5010 (197,24") +/- 15 mm (0,59")	8,3 (0,326")

Special version on request up to 10 m in length

OPTICAL FEATURES:

FLX.XX. D 98W1.0	Opal diffuser
FLX.XX. T 98W1.0	Transparent diffuser

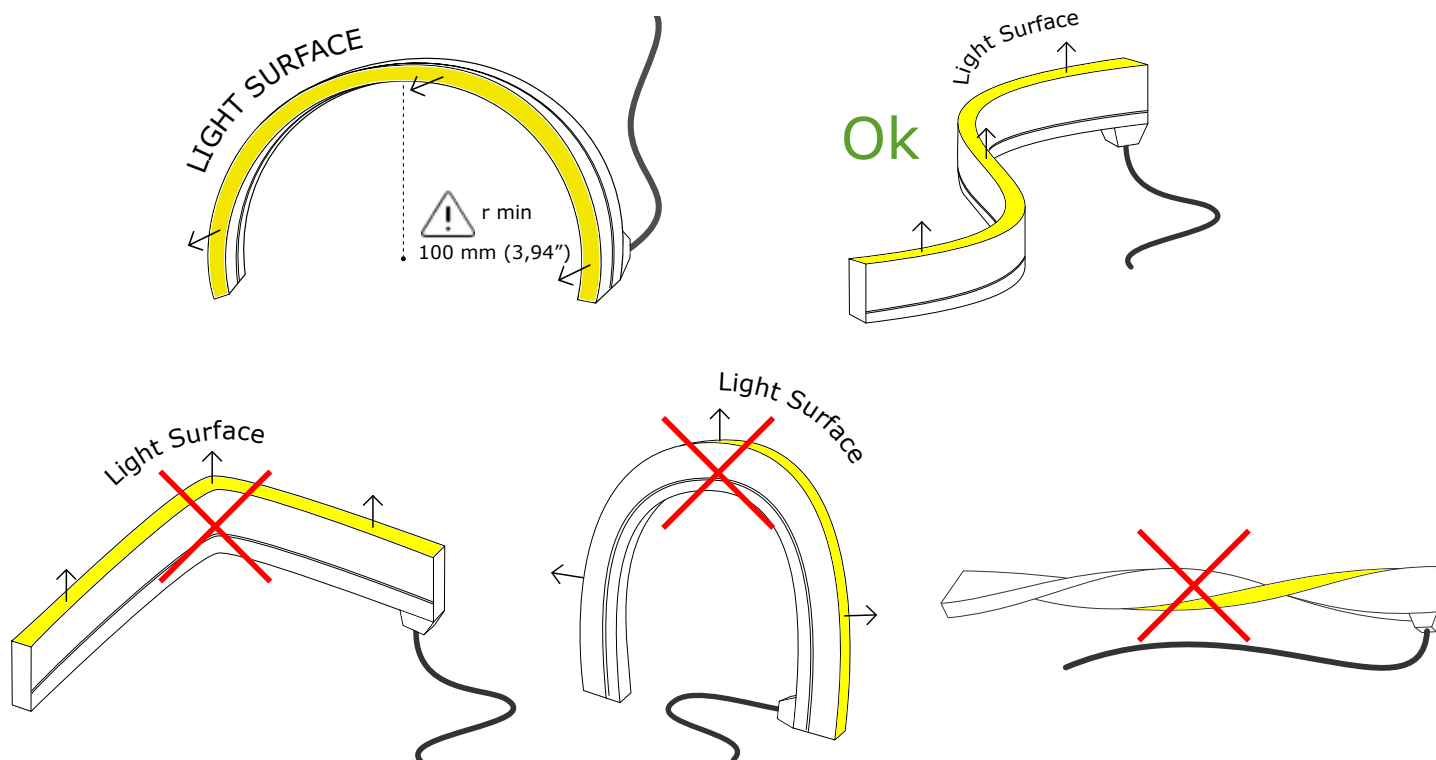
LED FEATURES:

	Signal LED	lm/W*
FLX.XX. X98W1.0	DWS	TBD

*delivered luminous flux (opal)

FINISHES FEATURES:

FLX.XX.X98 W1.0	Matt white
------------------------	------------



ALDABRA

PROFESSIONAL EXTERIOR LIGHTING

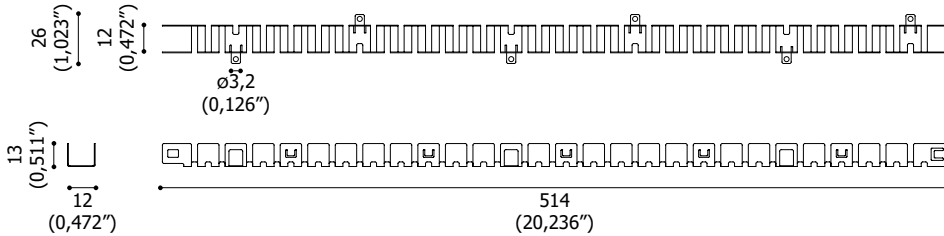
FLEXI 11x11 side dws

DATA-SHEET

RECESSING BOX:

CSF.0115.0

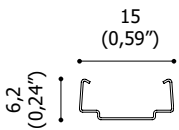
modular connectable/cuttable recessing box in stainless steel (10 pieces package - 5 m - 16,4 ft)



ACCESSORIES:

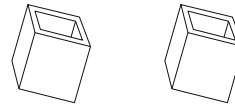
ACC.0355.0

Fixing spring - 5 pieces package



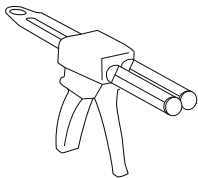
ACC.0358.0

Sealing kit - 5 pieces package



ACC.0360.0

Sealing gun



ACC.0361.0

Sealant cartridge



GENERAL INFORMATIONS:

Kindly note that atmospheric agents (such as lightnings, etc) , electrostatics charges or disturbances on the installation not caused by Aldabra lighting fixtures and Led drivers indicated by Aldabra itself, may cause damages on the fixtures. It is necessary that the electrical installation where the LED lighting fittings and their power supply units and control gears are installed must be equipped with proper devices for the protection and suppression of transient phenomena (SPD, isolation transformer, etc...). Such devices must be coordinated with the other protections of the installation; on this theme, it's necessary to refer to the electrical installations norms which are in force in each country.