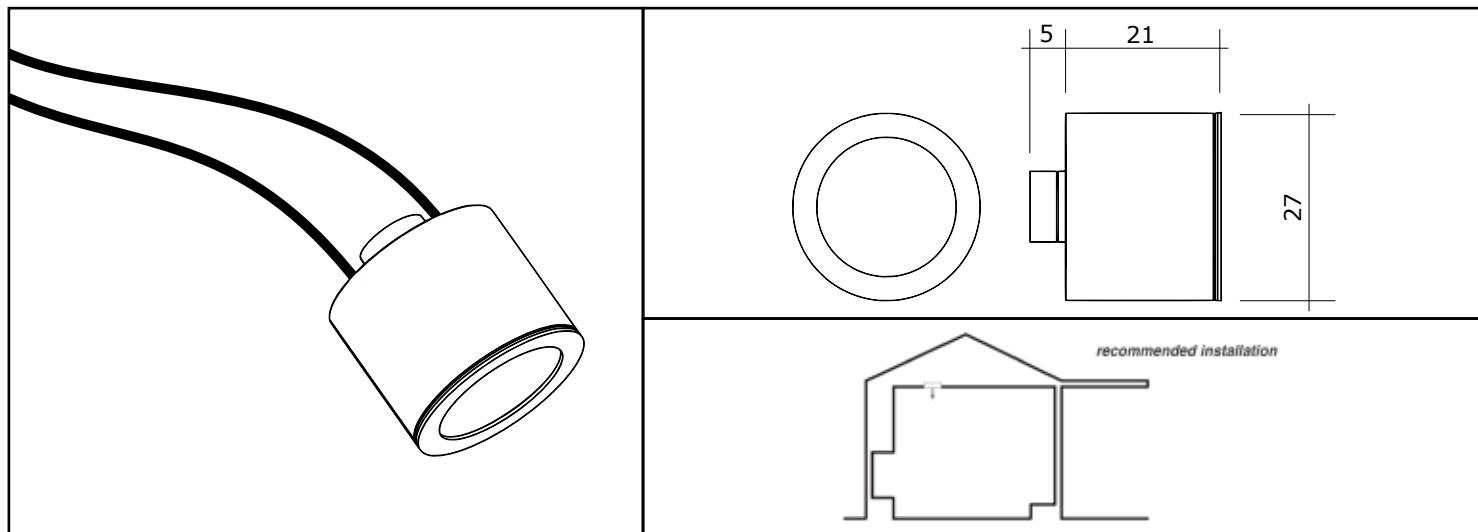


HOLE 27 Monochromatic

DATA-SHEET



PRODUCT DESCRIPTION:

Recessed professional fixed fixture suitable for indoor settings.
UV resistance of all materials.

TECHNICALS FEATURES:

Materials	anticorodal aluminium alloy EN AW-6060 - stainless steel AISI 316L - transparent PMMA diffuser
Front Finishes	polished stainless steel
Power Supply	constant voltage 24 Vdc ($\pm 5\%$)- constant current 350 mA
Power	1W (24 Vdc) - 4W (350 mA)
Light Source	Mid Power LED - High Power LED
Color Temperature	2700 K ; 3000K ; 4000K
Ra	> 80
Chromatic Selection	Mac-Adam 3-step
Lifetime	> 50000 h (TM21)
Optics	Mid Power LED: wide beam (35°) - High Power LED: medium beam (24°) - wide beam (40°)
Tc metal body	< 90 °C
Ta operating temperature	0 ÷ 40 °C (Mid Power LED) - 0 ÷ 35 °C (High Power LED)
Ts surface temperature	≤ 65 °C
Functions	On/Off ; dimmable
Cable	multi-standard 1x0,5 mm ² (20 AWG) H05V-K Red UL-CSA - HAR Ø 2,5 mm L. 500 mm + multi-standard 1x0,5 mm ² (20 AWG) H05V-K Black UL-CSA - HAR Ø 2,5 mm L. 500 mm
Weigth	23 g
Installations	concealed recessed, magnetic fixing
Norms	60598-1 ; 60598-2 and its parts



NOTE:

Power supplies, control&dimming devices and fixing kits must to be orderd separately. Aldabra power supply consumption is equal to 15% of the fixture nominal power.
Photometric data available at www.aldabra.it

HOLE 27 Monochromatic DATA-SHEET

GENERAL FEATURES:

	power @24 Vdc	power @350 mA
HOL.01.XXXXX.X	1W	
HOL.02.XXXXX.X		4W

OPTICAL FEATURES:

HOL.XX.FXXXX.X	medium beam 24°
HOL.XX.WXXXX.X	wide beam 35° - 40°

LED FEATURES:

	High Power LED	lm/W	Ra	Chromatic selection
HOL.XX.X27XX.X	2700K warm white	100	>80	MacAdam 3-step
HOL.XX.X30XX.X	3000K warm white	118	>80	MacAdam 3-step
HOL.XX.X40XX.X	4000K neutral white	130	>80	MacAdam 3-step

FINISHES FEATURES:

HOL.XX.XXXS2.X	Polished stainless steel
----------------	--------------------------

GENERAL INFORMATIONS:

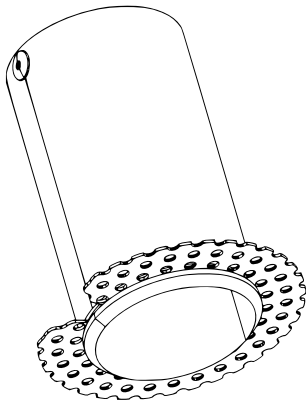
Kindly note that atmospheric agents (such as lightnings, etc) , electrostatics charges or disturbances on the installation not caused by Aldabra lighting fixtures and Led drivers indicated by Aldabra itself, may cause damages on the fixtures. It is necessary that the electrical installation where the LED lighting fittings and their power supply units and control gears are installed must be equipped with proper devices for the protection and suppression of transient phenomena (SPD, isolation transformer, etc...). Such devices must be coordinated with the other protections of the installation; on this theme, it's necessary to refer to the electrical installations norms which are in force in each country.

HOLE 27 Monochromatic DATA-SHEET

RECESSING BOXES:

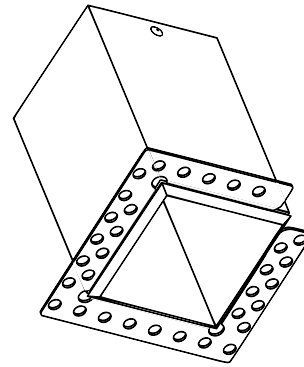
CSF.0108.0

round trimless recessing box
in matt white aluminium



CSF.0109.0

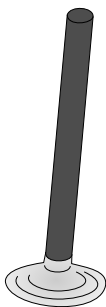
square trimless recessing box
in matt white aluminium



ACCESSORIES:

ACC.0277.0

tool for pulling out the Hole27



ACC.0278.0

tool for drilling plasterboard for
Hole27 recessing boxes

