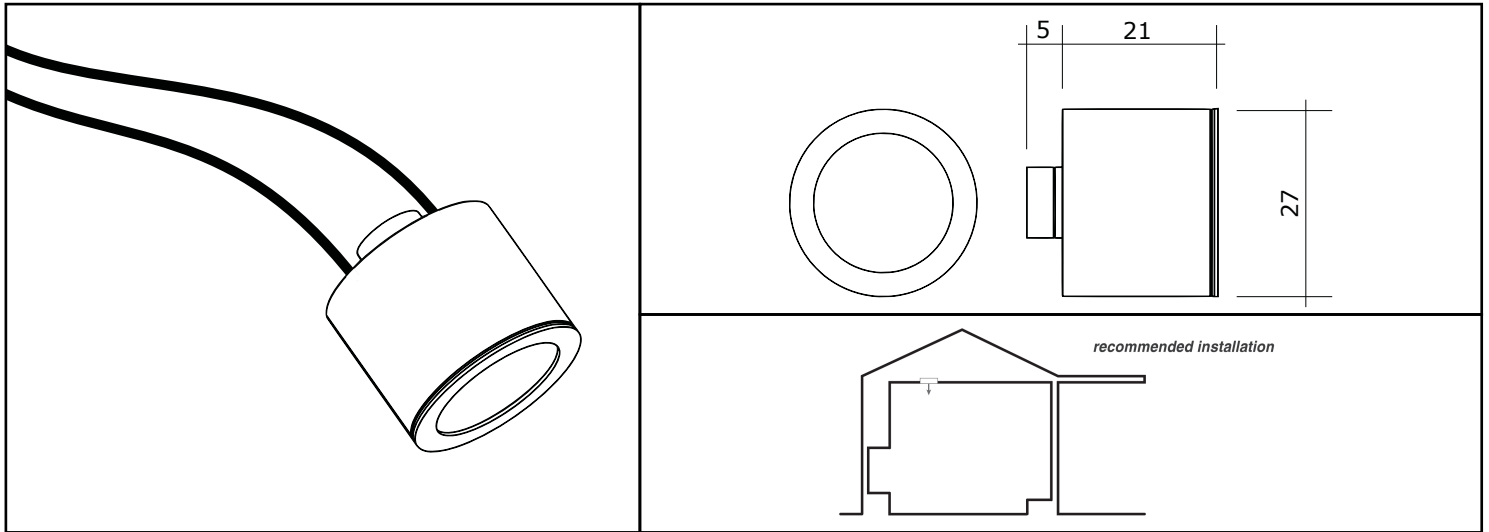


## HOLE 27 Monochromatic

### DATA-SHEET



#### PRODUCT DESCRIPTION:

Recessed professional fixed fixture suitable for indoor settings.  
UV resistance of all materials.

#### TECHNICALS FEATURES:

|                                 |  |
|---------------------------------|--|
| <b>Materials</b>                | anticorodal aluminium alloy EN AW-6060 - stainless steel AISI 316L - transparent PMMA diffuser   |
| <b>Front Finishes</b>           | polished stainless steel   |
| <b>Power Supply</b>             | constant voltage 24 Vdc - constant current 350 mA  |
| <b>Power</b>                    | 1W (24 Vdc) - 4W (350 mA)  |
| <b>Light Source</b>             | Mid Power LED - High Power LED   |
| <b>Color Temperature</b>        | 2700 K ; 3000K ; 4000K   |
| <b>Ra</b>                       | > 80   |
| <b>Chromatic Selection</b>      | Mac-Adam 3-step  |
| <b>Lifetime</b>                 | > 50000 h (TM21)   |
| <b>Optics</b>                   | transparent diffuser   |
| <b>Tc metal body</b>            | < 90 °C  |
| <b>Ta operating temperature</b> | 0 ÷ 40 °C (Mid Power LED) - 0 ÷ 35 °C (High Power LED)   |
| <b>Ts surface temperature</b>   | ≤ 65 °C  |
| <b>Functions</b>                | On/Off ; dimmable  |
| <b>Cable</b>                    | multi-standard 1x0,5 mm <sup>2</sup> (20 AWG) H05V-K Red UL-CSA - HAR Ø 2,5 mm L. 500 mm +<br>multi-standard 1x0,5 mm <sup>2</sup> (20 AWG) H05V-K Black UL-CSA - HAR Ø 2,5 mm L. 500 mm |
| <b>Weigth</b>                   | 23 g   |
| <b>Installations</b>            | concealed recessed, magnetic fixing  |
| <b>Norms</b>                    | 60598-1 ; 60598-2 and its parts  |



#### NOTE:

Power supplies, control&dimming devices and fixing kits must to be orderd separately. Aldabra power supply consumption is equal to 15% of the fixture nominal power.  
Photometric data available at [www.aldabra.it](http://www.aldabra.it)

## HOLE 27 Monochromatic DATA-SHEET

### GENERAL FEATURES:

|                | power @24 Vdc | power @350 mA |
|----------------|---------------|---------------|
| HOL.01.XXXXX.X | 1W            |               |
| HOL.02.XXXXX.X |               | 4W            |

### OPTICAL FEATURES:

|                |                      |
|----------------|----------------------|
| HOL.XX.TXXXX.X | transparent diffusor |
|----------------|----------------------|

### LED FEATURES:

|                | High Power LED      | lm/W | Ra  | Chromatic selection |
|----------------|---------------------|------|-----|---------------------|
| HOL.XX.X27XX.X | 2700K warm white    | 100  | >80 | MacAdam 3-step      |
| HOL.XX.X30XX.X | 3000K warm white    | 118  | >80 | MacAdam 3-step      |
| HOL.XX.X40XX.X | 4000K neutral white | 130  | >80 | MacAdam 3-step      |

### FINISHES FEATURES:

|                |                          |
|----------------|--------------------------|
| HOL.XX.XXXS2.X | Polished stainless steel |
|----------------|--------------------------|

### GENERAL INFORMATIONS:

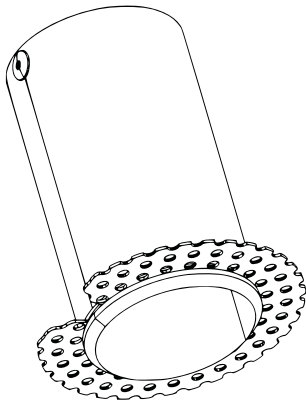
Kindly note that atmospheric agents ( such as lightnings, etc ) , electrostatics charges or disturbances on the installation not caused by Aldabra lighting fixtures and Led drivers indicated by Aldabra itself, may cause damages on the fixtures. It is necessary that the electrical installation where the LED lighting fittings and their power supply units and control gears are installed must be equipped with proper devices for the protection and suppression of transient phenomena (SPD, isolation transformer, etc...). Such devices must be coordinated with the other protections of the installation; on this theme, it's necessary to refer to the electrical installations norms which are in force in each country.

## HOLE 27 Monochromatic DATA-SHEET

### RECESSING BOXES:

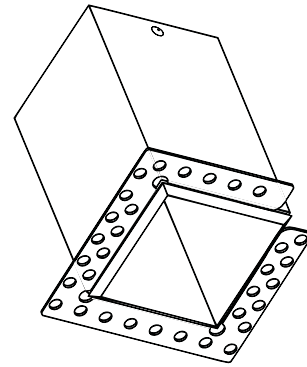
#### CSF.0108.0

round trimless recessing box  
in matt white aluminium



#### CSF.0109.0

square trimless recessing box  
in matt white aluminium



### ACCESSORIES:

#### ACC.0277.0

tool for pulling out the Hole27



#### ACC.0278.0

tool for drilling plasterboard for  
Hole27 recessing boxes

