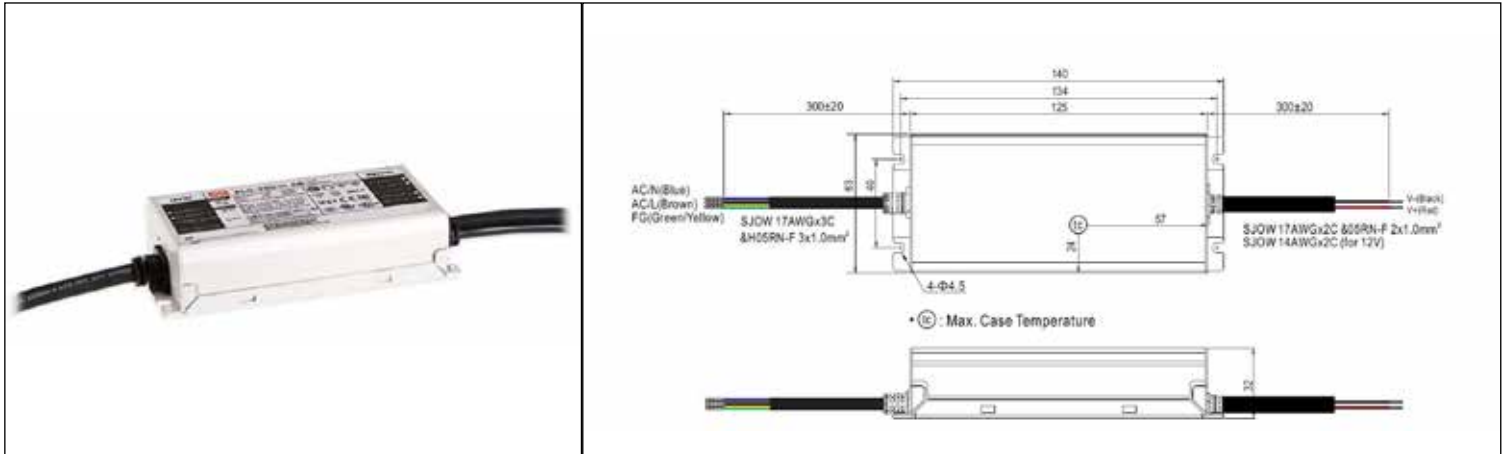


PSU.0009.3 - DATA-SHEET



PRODUCT DESCRIPTION:

Constant Voltage + Constant Current; metal housing with class I; built-in active PFC function; Class 2 power unit; IP67 rating for indoor or outdoor installations; typical lifetime >50000 hours.

TECHNICALS FEATURES:

Output Voltage	24 Vdc
Rated Output Current	4 A
Rated Output Power	96 W
RIPPLE & NOISE (max.)	240mVp-p
Input Voltage Range	100 ~ 305 VAC ; 142 ~ 431 VDC
Frequency Range	47 ~ 63 Hz
Power Factor (Typ.)	PF>0.97/115VAC, PF>0.95/230VAC, PF>0.923/277VAC @ full load
Total Harmonic Distortion	THD< 10% (@ load >50% / 115VAC,230VAC; @ load >75% / 277VAC)
Efficiency (Typ.)	92%
AC Current (Typ.)	1.1A / 115VAC 0.5A / 230VAC 0.42A / 277VAC
Inrush Current (Typ.)	COLD START 60A(t =415 s measured at 50% I) at 230VAC width peak ; Per NEMA 410
MAX. No. of PSUs on 16A CIRCUIT BREAKER	8 units (circuit breaker of type B) / 14 units (circuit breaker of type C) at 230VAC
LEAKAGE CURRENT	<0.75mA / 277VAC
OVER VOLTAGE PROTECTION	27 ~ 34V Shut down o/p voltage, re-power on to recovery
OVER TEMPERATURE PROTECTION	Shut down o/p voltage, re-power on to recovery
WORKING TEMP.	Tcase=-40 ~ +90°C (Please refer to "OUTPUT LOAD vs TEMPERATURE" section)
MAX. CASE TEMP.	Tcase=+90°C
WORKING HUMIDITY	20 ~ 95% RH non-condensing
STORAGE TEMP., HUMIDITY	-40 ~ +90 , 10 ~ 95% RH
SAFETY STANDARDS	UL8750(type"HL"), UL879, CSA C22.2 No. 250.13-12; ENEC EN61347-1, EN61347-2-13 independent, EN62384; GB19510.1,GB19510.14; EAC TP TC 004;J61347-1(H29), J61347-2-13(H29),KC61347-1,KC61347-2-13,IS15885(Part2/Sec13)(for XLG-100I type only); NOM-058-SCFI-2017(except for Blank type); IP67 approved
EMC EMISSION	Compliance to EN55015(CISPR15),GB/T17743, EN61000-3-2 , EN61000-3-3, GB/T17625.1
EMC IMMUNITY	Compliance to EN61000-4-2, EN61000-4-3, EN61000-4-4, EN61000-4-5, EN61000-4-6, EN61000-4-8, EN61000-4-11