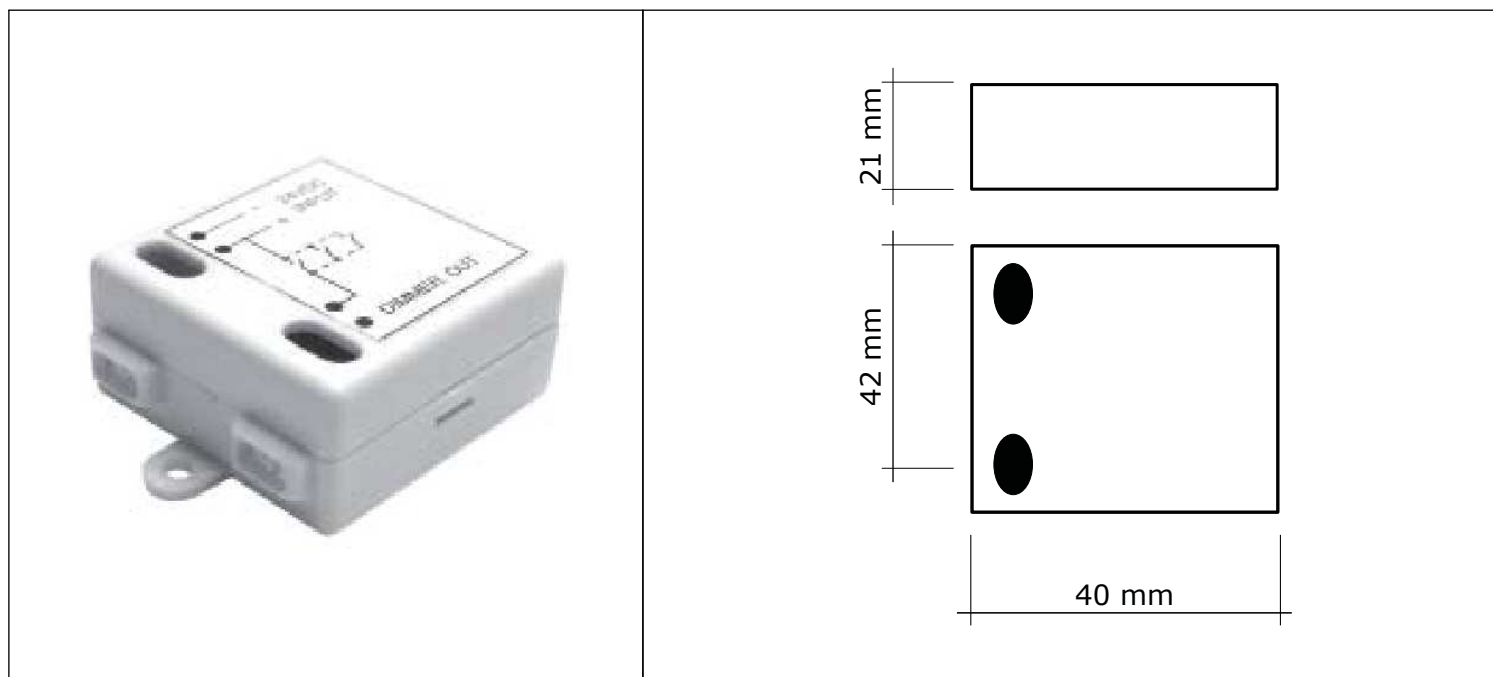


ECG.0003.0
DATA-SHEET



PRODUCT DESCRIPTION:

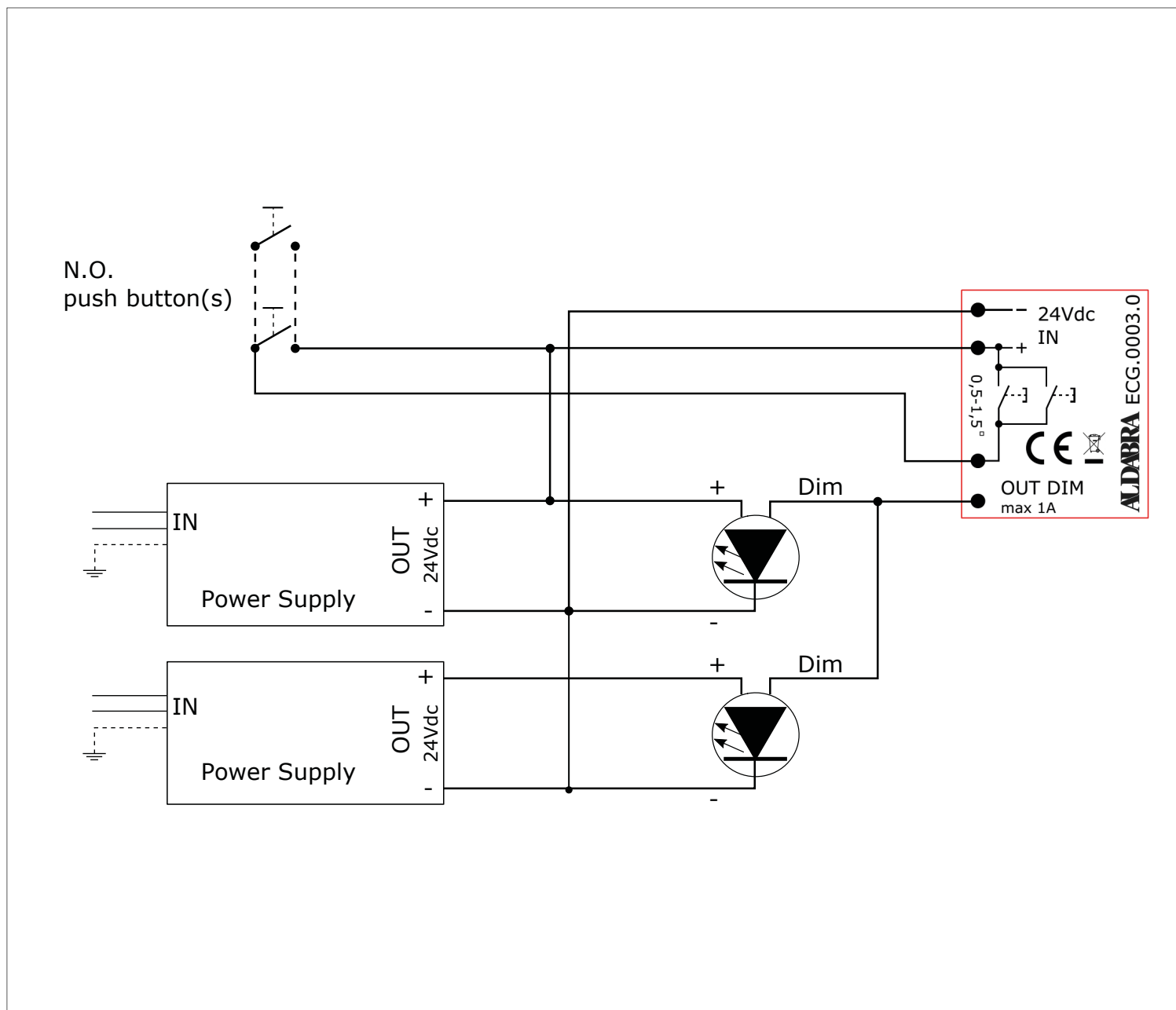
Dimmer for linear system, spot and downlights family.
This device is suitable for 24Vdc supply fixtures.

TECHNICALS FEATURES:

power supply	24 Vdc
max output current	1 channels max 1A
control input	Push button N/O
dimming range	0,1%-100%
working temperature	-20 ÷ 40 °C
expected lifetime	>100000h
protection class	IP20
max connecting wire cross section	1,5 mm ²
dimensions (LxWxH)	40x42x21 mm
weight	40g



ECG.0003.0
DATA-SHEET



OPERATING MODE:

“Soft Start” for a smoothness ON and OFF of the light, parallel connection for normally open push buttons.
ON and OFF of the light by push function, press and hold for a fade in and out of the light.
Save of the light output level in case of black-out.