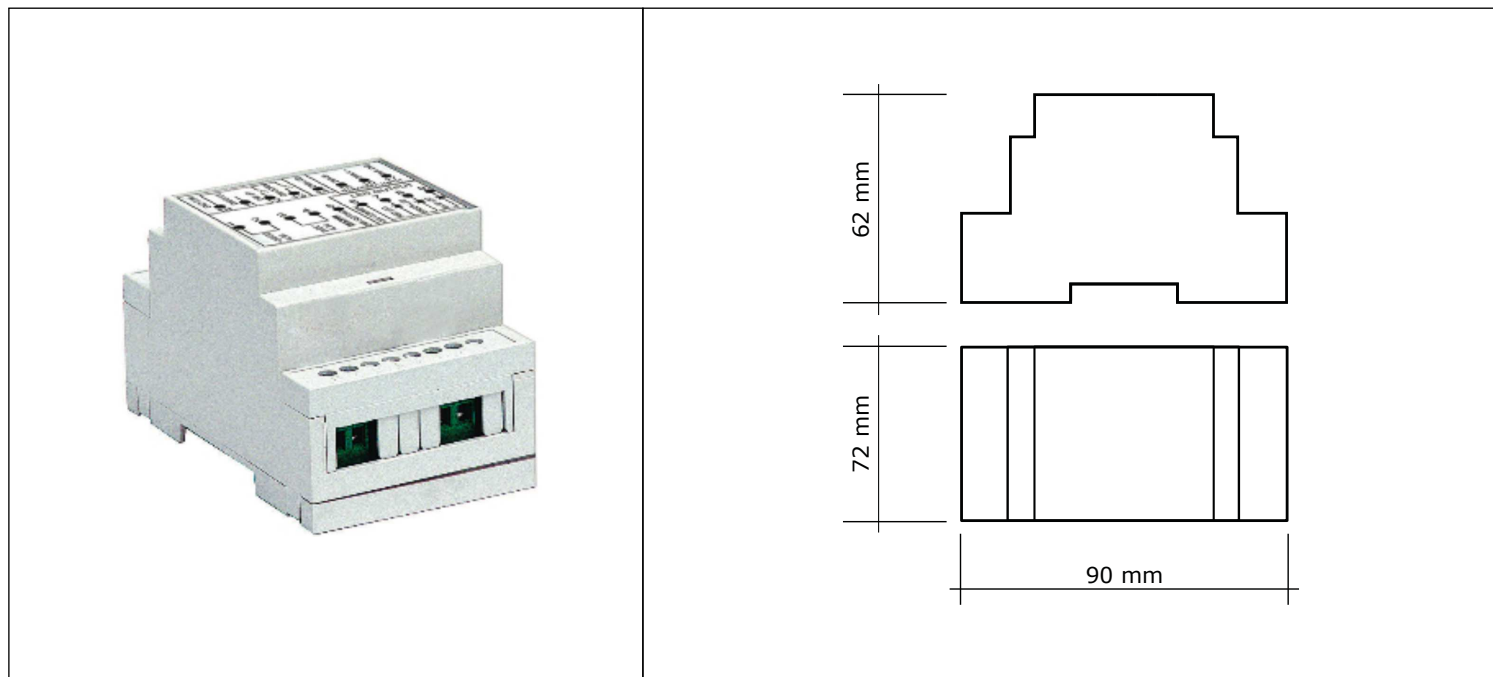


**ECG.0008.0**  
DATA-SHEET



**PRODUCT DESCRIPTION:**

Dimmer for linear system, spot and downlights family.  
This device is suitable for constant current 500mA supply fixtures.

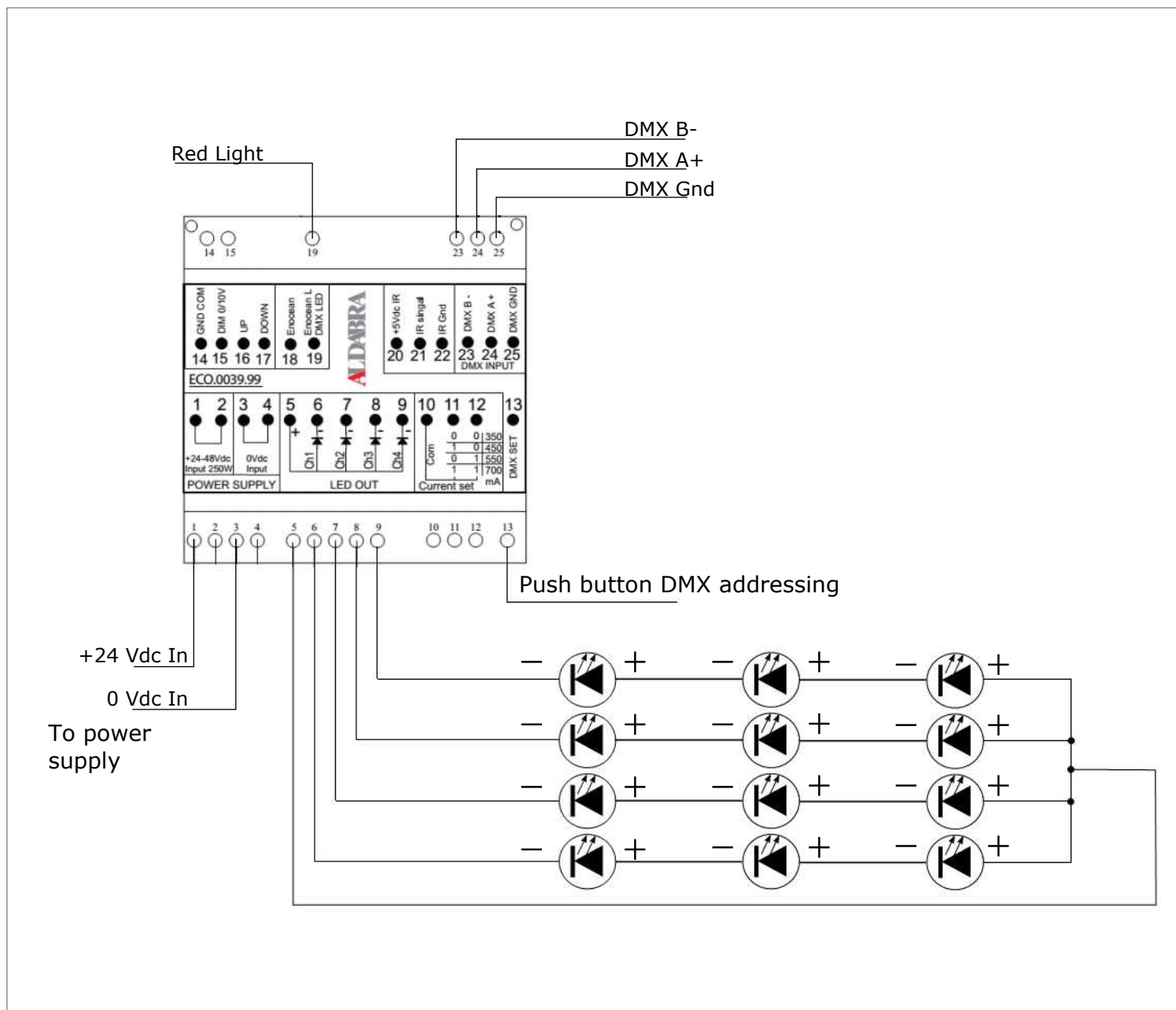
**TECHNICALS FEATURES:**

|   |   |
|---|---|
| <b>power supply</b>                       | 24 Vdc  |
| <b>max output current</b>                 | 4 channels 500 mA each channel  |
| <b>max output power</b>                   | 42 W (max 7 LED each channel)   |
| <b>control input</b>                      | DMX standard USITT512 (RDM 2.0 compatible) self learning, addressing mode |
| <b>dimming range</b>                      | 0%-100%   |
| <b>working temperature</b>                | -10 ÷ 54 °C   |
| <b>max case temperature</b>               | 65 °C   |
| <b>expected lifetime (at Tc&lt;=75°C)</b> | >100000h  |
| <b>protection class</b>                   | IP20  |
| <b>max connecting wire cross section</b>  | 1,5 mm <sup>2</sup>   |
| <b>installation</b>                       | DIN bar mounting  |
| <b>dimensions (LxWxH)</b>                 | 90x72x62 mm   |
| <b>weight</b>                             | 120g  |



## ECG.0008.0

### DATA-SHEET



### OPERATING MODE:

To set DMX address connect the DMX generator to wire A and B, red light in position 19 will blink correctly if DMX is connected.

Set DMX generator to the max value on the desired channel,(for example channel 6=255) then push and hold DMX set button on the box in connector position 13.

The red LED on board stay on 3 second then blink to indicate the setting is complete.

Be careful that the A and B wires are properly connected.