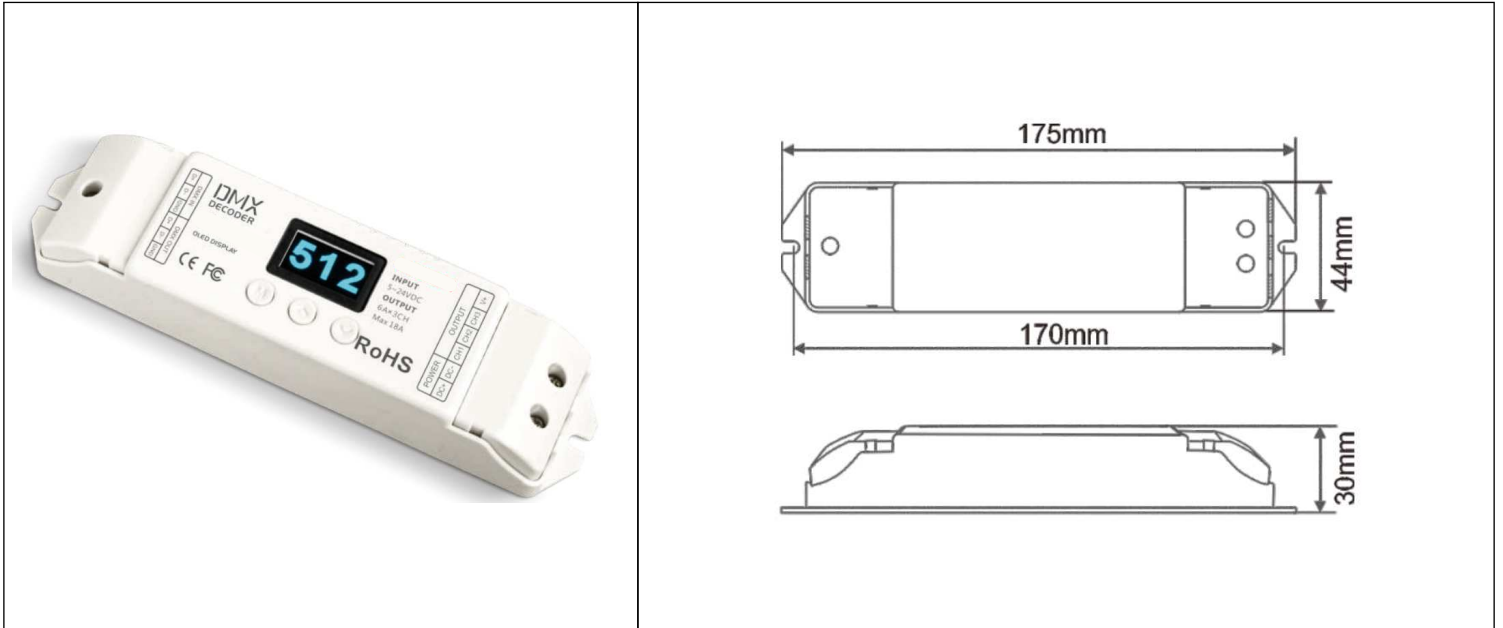


## ECG.0034.0

### DATA-SHEET



#### PRODUCT DESCRIPTION:

3 channel DMX Interface, suitable for constant voltage LED modules.  
Low standby power consumption, high efficiency.  
Can be worked with any brand of DMX dimmer.

#### TECHNICALS FEATURES:

<b>supply voltage</b>	24 Vdc
<b>max output current</b>	6 A x 3 channels (max 18 A)
<b>max output power</b>	432 W
<b>control input</b>	DMX
<b>dimming range</b>	0% ÷ 100%
<b>ambient temperature</b>	-30 ÷ 55 °C
<b>expected lifetime (at Tc&lt;=75°C)</b>	>100000h
<b>protection class</b>	IP20
<b>max connecting wire cross section</b>	2,5 mm <sup>2</sup>
<b>dimensions (LxWxH)</b>	175x44x30 mm
<b>weight</b>	175g

# ALDABRA<sup>®</sup>

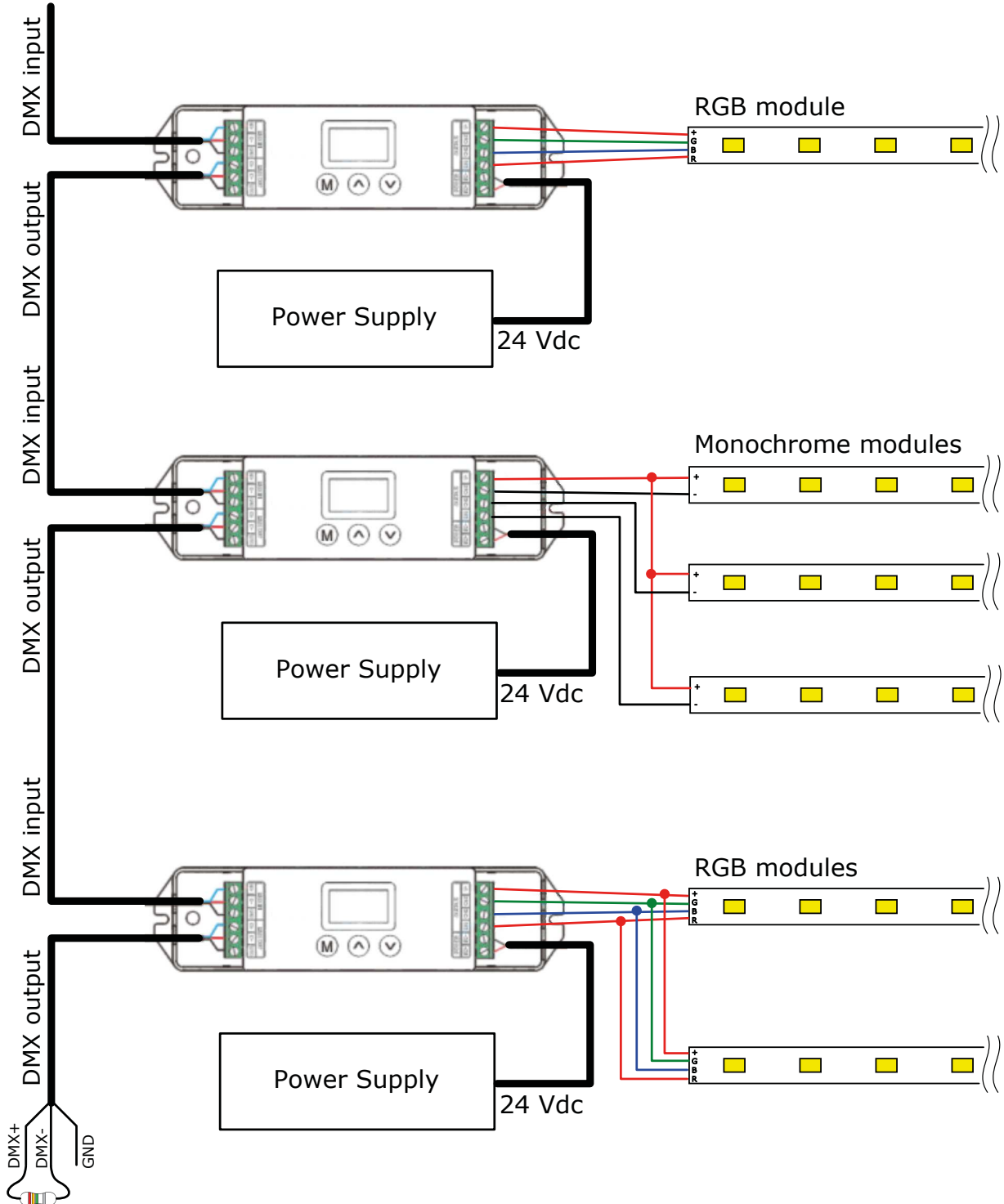
## E·PRESS

### ECG.0034.0

#### DATA-SHEET

Connect to DMX  
master control

LED MODULES

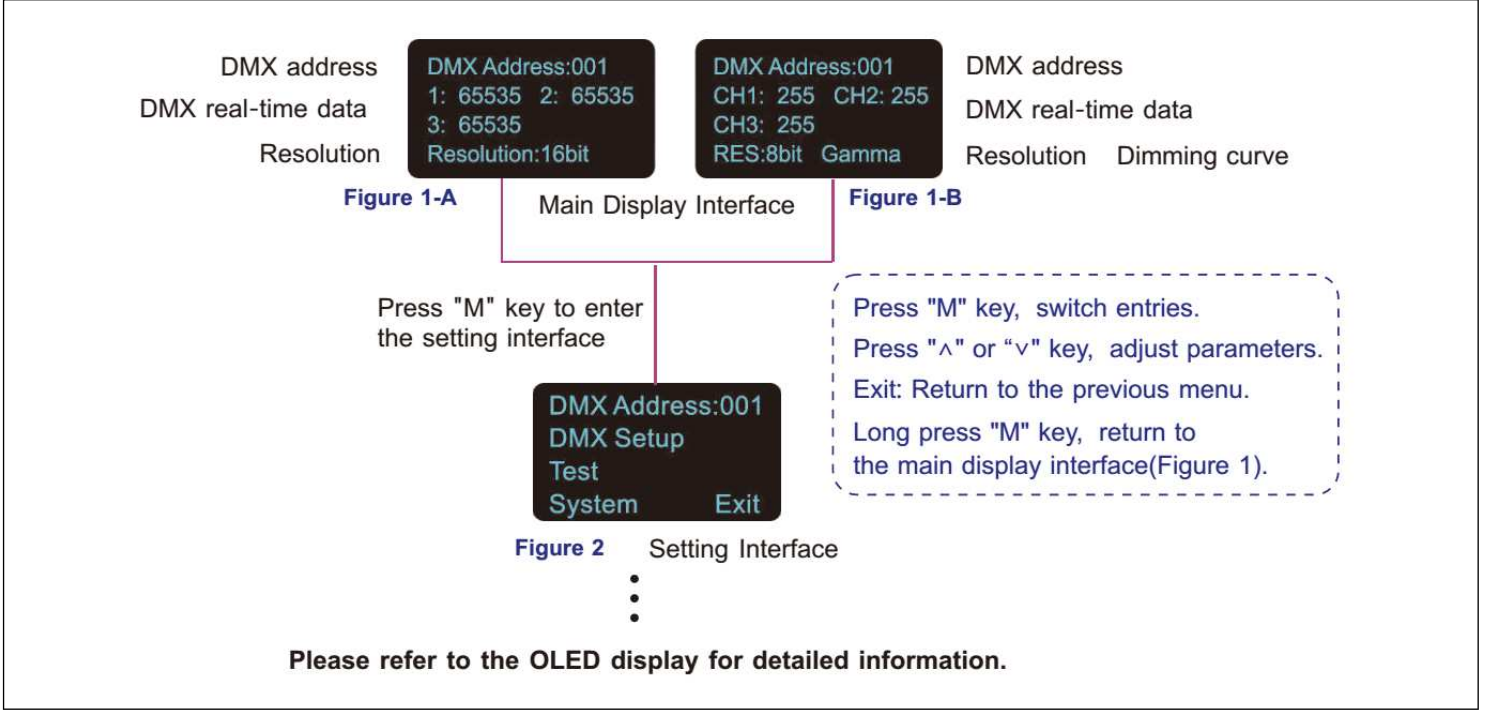


Terminal resistor  
1/4W , 90 -120 Ω

# ALDABRA<sup>®</sup> E)C)P)RESS

## ECG.0034.0 DATA-SHEET

### OLED SCREEN INTERFACE DIAGRAMM



### DMX OPERATING MODE:

Select on the OLED display the number of the address, press "M" and the active selection start to blink. Press  $\wedge$  or  $\vee$  for select the number of the address. For example, selecting **address :001** the colour connected in channel 1 will be stored in the DMX control gear, the channel 2 on the **address:002** and the channel 3 on the **address:003**.

### STAND ALONE OPERATING MODE:

Select "Test" on the OLED display, press "M" until the active selection (test) start to blink. Press  $\wedge$  or  $\vee$  for enter the selection and for change the 7 default programs: **-RGB Gradual, -7colors Strobe, -White Strobe, -7colors Skipping, -RGB Skipping, -Dimmer, -7colors Gradual**. With "M" can select "Speed" or "Bright" and with  $\wedge$  or  $\vee$  can change the corresponding value.

Screensaver enable time: undo for 2 min. in the main display interface (not in "Test" function).

Restore the default parameters:

In the main display interface (Fig.1), long press "M"  $\wedge$   $\vee$  3 keys simultaneolsy, ECG.0034.0 will restore the default parameters, and on the screen display appear "Device restore default" for 2 sec. then it will retourn to the main display interface (Fig.1)