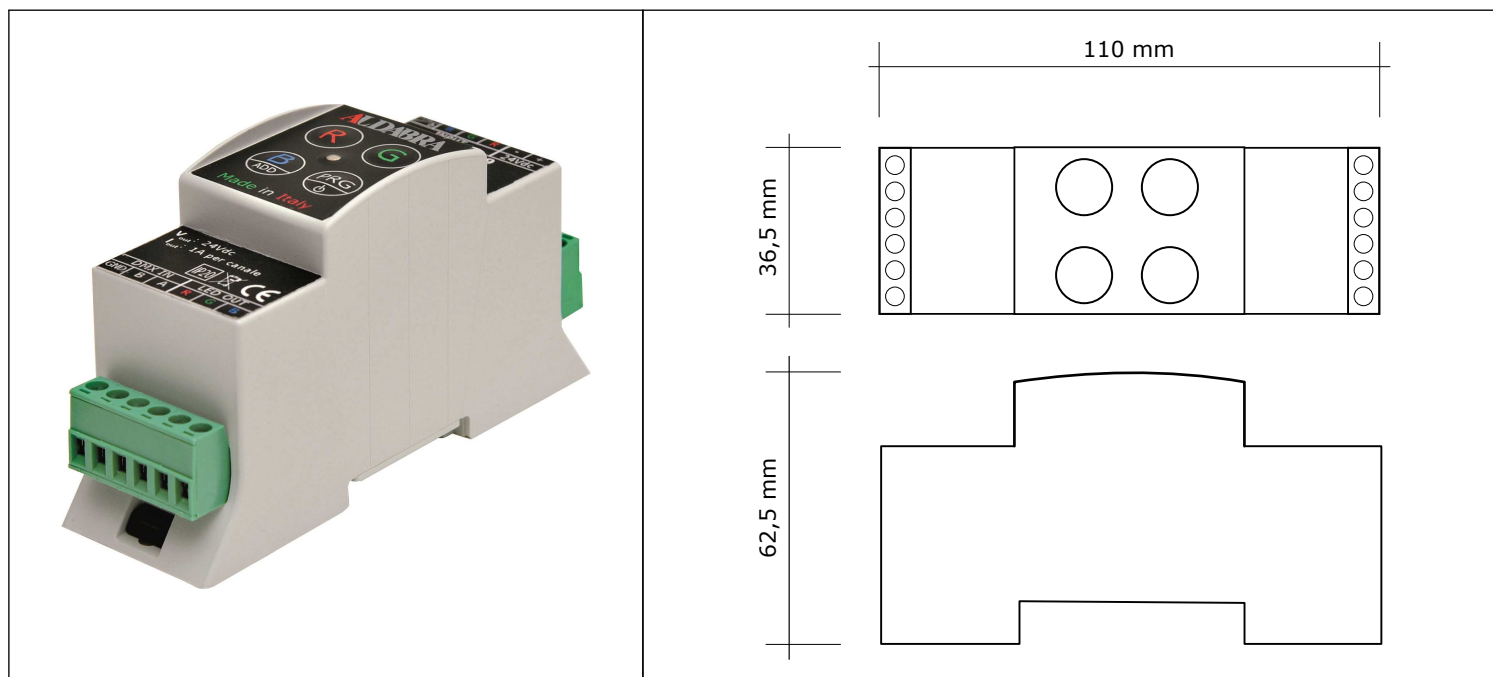


ECG.0011.0

DATA-SHEET



PRODUCT DESCRIPTION:

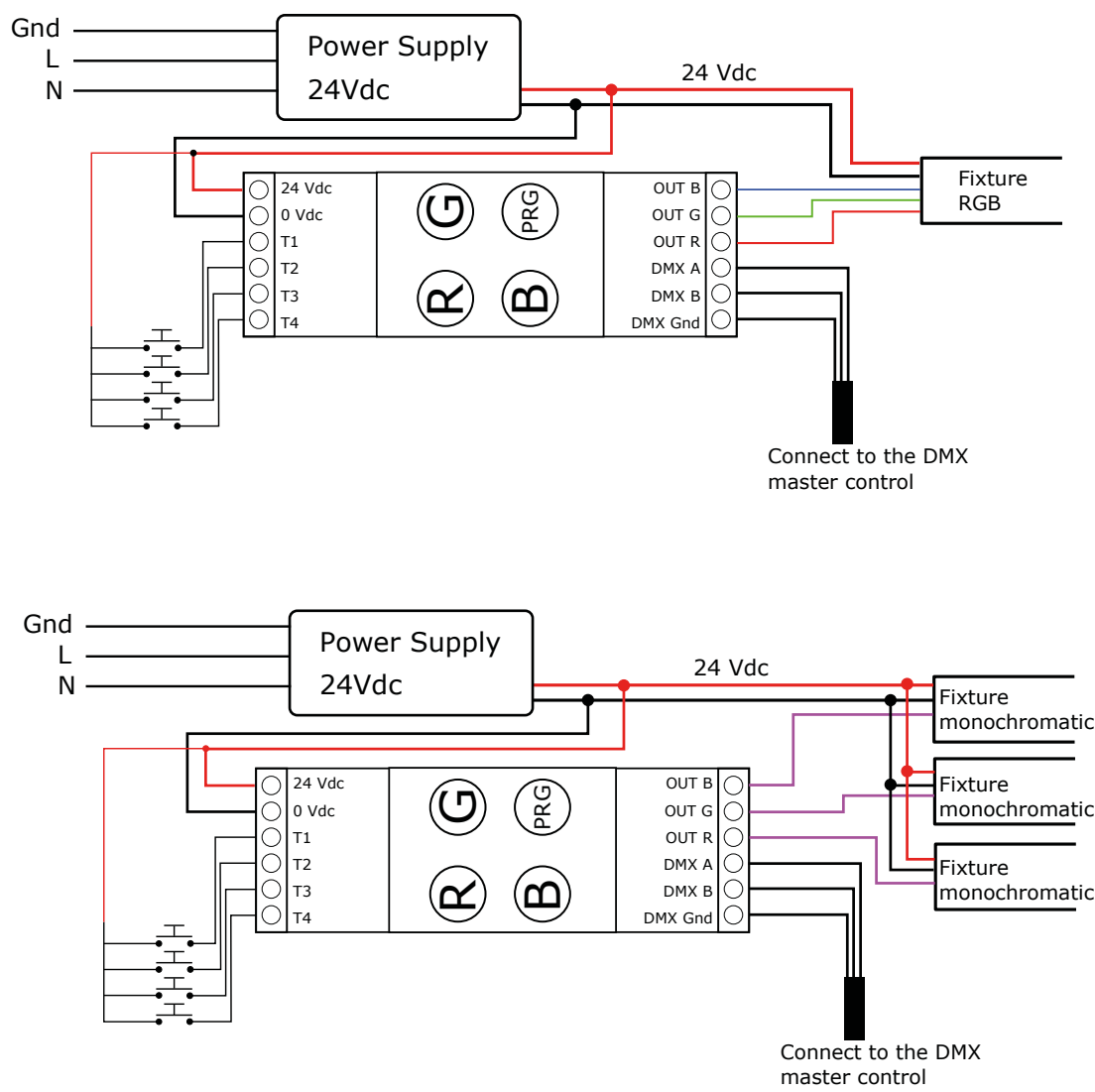
Dimmer for linear system, spot and downlights family RGB system.
This device is suitable for 24 Vdc power supply fixtures.

TECHNICALS FEATURES:

supply voltage	24 Vdc
max output current	1 A x 3 channels (max 3 A)
max output power	72 W
control input	DMX
dimming range	2%-100%
ambient temperature	-20 ÷ 40 °C
expected lifetime (at Tc<=75°C)	>100000h
protection class	IP20
max connecting wire cross section	1,5 mm ²
dimensions (LxWxH)	110x36,5x62,5 mm
weight	100g



ECG.0011.0
DATA-SHEET



OPERATING MODE:

This device is suitable for colour mixing of RGB power and signal LED. Already programmed with some colour change sequences, can be controlled remotely. The on board keys or the remote connections can be operated as needed. The push buttons are not supplied.

The four keys perform:

- R, G, B press:** switch ON and OFF the relative colour LED
- R, G, B press and hold:** fade light output of the selected colour from max to min or from min to max
- PRG press:** switch to the 3 integrated colour change sequences
- PRG press and hold:** switch ON and OFF the system and store setup
- B press and hold:** if the DMX signal is receive, it takes precedence on the keys that become mute. Hold this key for 3 sec. to setup DMX address.