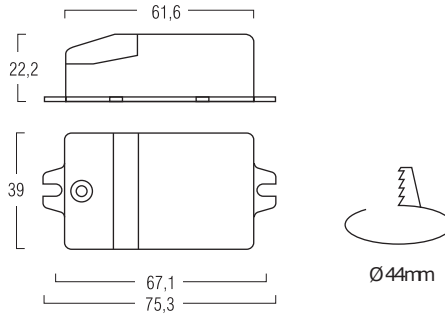


**PSU.0027.0**

LED power supply

350mA, 3-30V



Constant Current

Mains voltage AC	220-240V
Mains voltage DC	176-276V
Mains frequency	0 / 50/60 Hz
Mains current	90 mA
Power factor	0,6 C
Max output current	350mA
Output voltage	3-30V
Max output voltage	35V
Output power	10W
Ambient temperature Ta	-10 ÷ 50° C
Max case temperature on Tc	75°
Weight	0,05 Kg

Suitable for operation at extended range 110-264V - 50/60Hz with about 50% of power derating.

- > Independent driver
- > Constant current version for power LED
- > Constant voltage version for power LED
- > Typical ripple current < 3%
- > Degree protection, IP20
- > Screwable terminals connection, 2,5mm<sup>2</sup>
- > Class II protection
- > Short circuit, overload, open circuit and thermal protection
- > Nominal life-time up to 50,000h at tc max
- > Complying with EN61347-2-13, EN61347-1, EN62384, EN55015, EN61000-3-2, EN61547