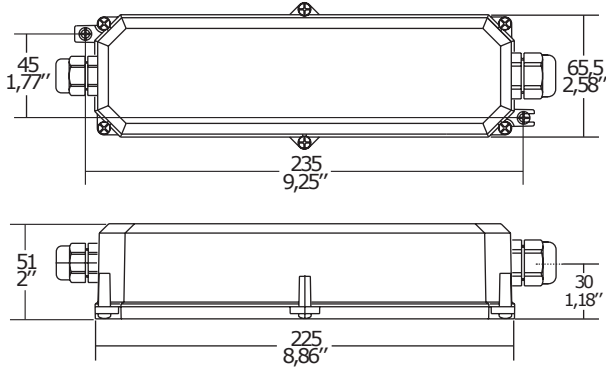


PSU.0018.0



SELV

W	V _{out} DC	I _{out} DC	t _a °C	t _c °C	l max Power Factor	h max Efficiency ⁽¹⁾
150	24	6,25 A max.	-40...+45	75	0,98	> 94



IP 67



Weight - Peso gr. 600 / 21,16 oz.

⁽¹⁾ Referred to V_{in} = 230 V, 100%load

Rated Voltage

Tensione Nominale
220 ÷ 240 V

Frequency

Frequenza
50...60 Hz

AC Operation range

Tensione di utilizzo AC
198 ÷ 264 V

DC Operation range

Tensione di utilizzo DC
176 ÷ 264 V
(NO 150 W)

Power

Potenza
0 ÷ 150 W

Output current ripple

≤ 3%⁽¹⁾

Reference Norms

Norme di riferimento

EN 50172 (VDE 0108)
EN 55015
EN 61000-3-2
EN 61000-3-3
EN 61347-1
EN 61347-2-13
EN 61547
VDE 0710-T14

Max. pcs for CB B16A

8 pcs

In rush current

35A 1000µsec

Features

- IP67 independent driver, for outdoor use.
- Class I protection against electric shock for direct or indirect contact.
- Cables on primary and secondary circuits for connection.
- If the input cable is damaged it can only be replaced by authorized personnel.
- Driver can be secured with slot for screws.
- Protections:
 - against overheating and short circuits;
 - against mains voltage spikes;
 - against overloads.
- Conformal Coating available upon request.

Wiring diagram - Schema di collegamento

