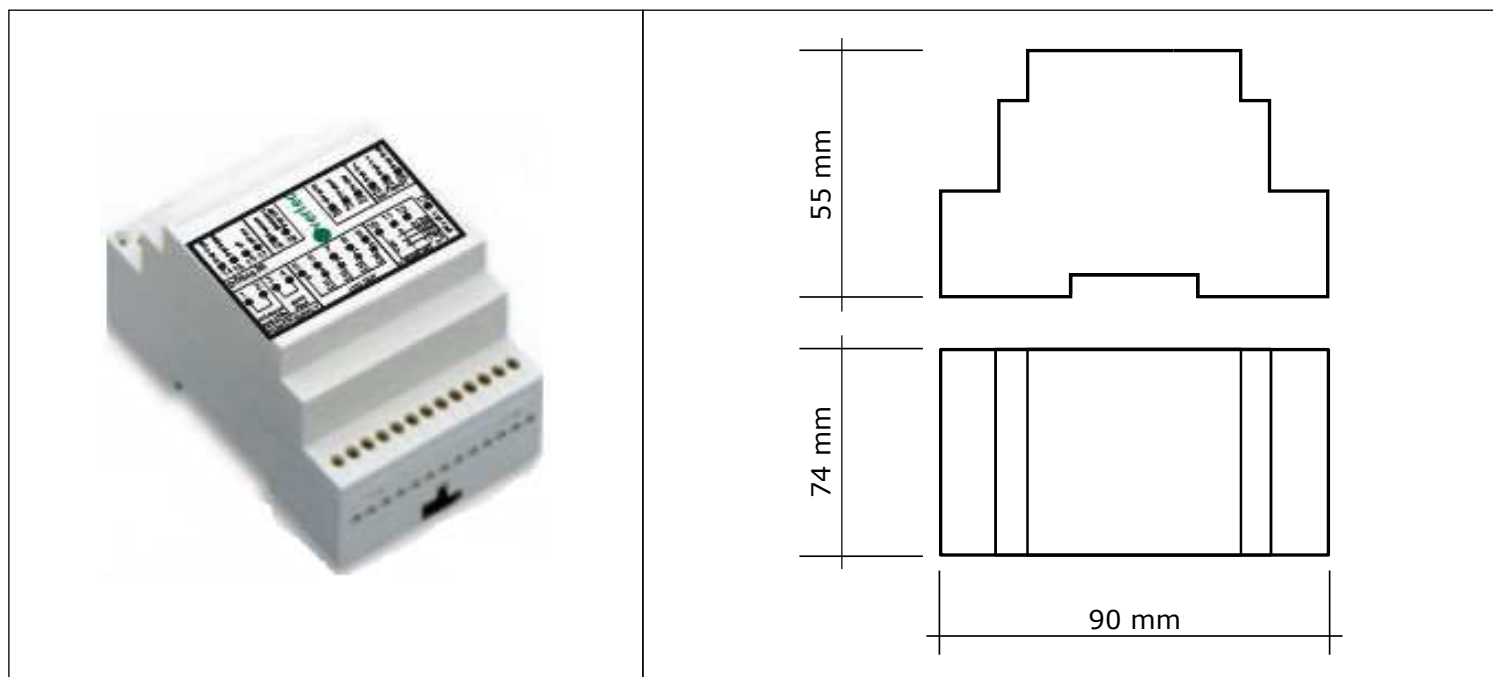


ECG.0007.0
DATA-SHEET



PRODUCT DESCRIPTION:

Dimmer for linear system, spot and downlights family.
This device is suitable for constant voltage supply fixtures.

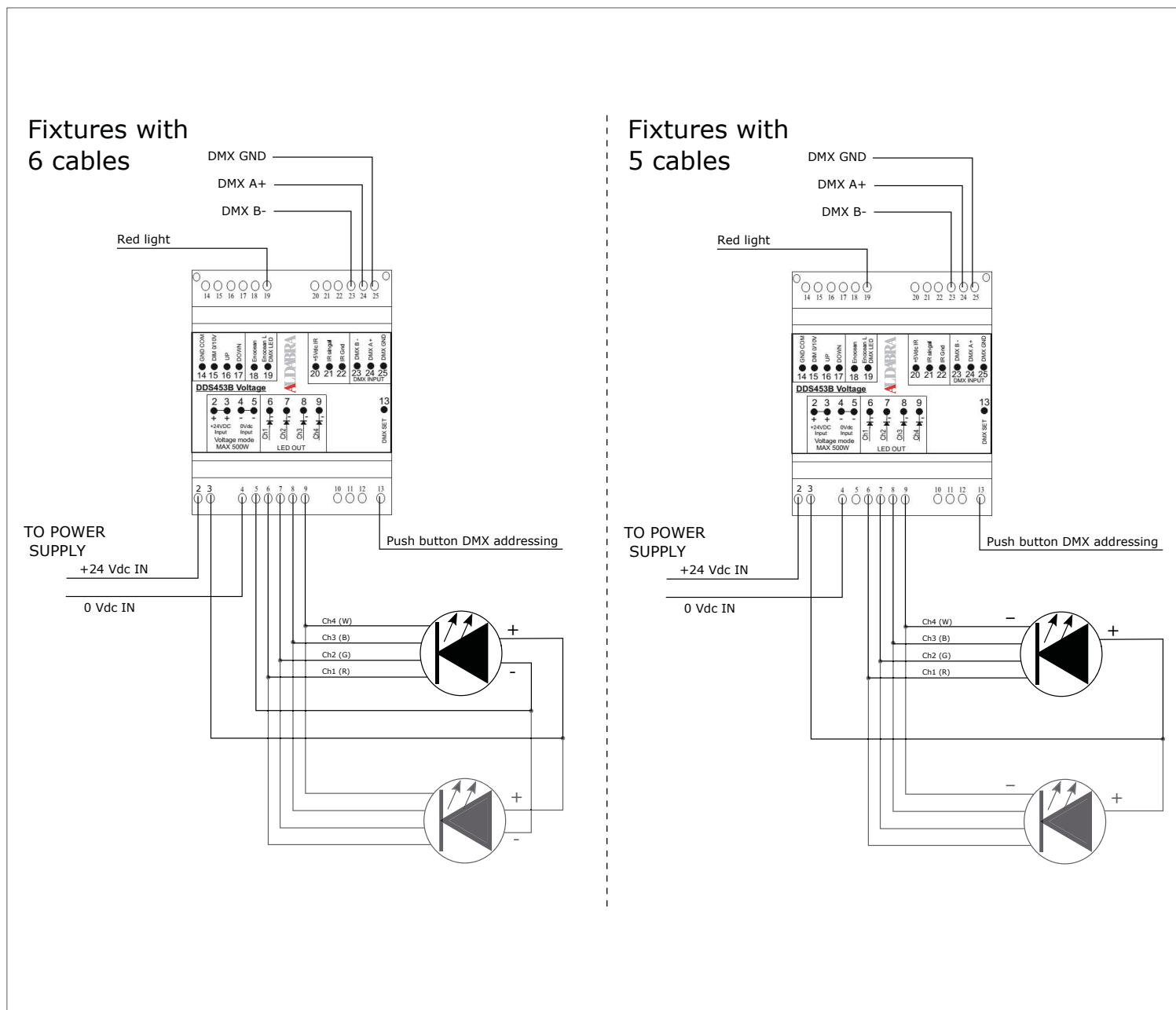
TECHNICALS FEATURES:

power supply	24 Vdc
max output current	4 channels 2 A each channel
max output power	192 W (max 48 W each channel)
control input	DMX standard USITT512 (RDM 2.0 compatible) self learning, addressing mode
dimming range	0%-100%
working temperature	-10 ÷ 54 °C
max case temperature	65 °C
expected lifetime (at Tc<=75°C)	>100000h
protection class	IP20
max connecting wire cross section	1,5 mm ²
installation	DIN bar mounting
dimensions (LxWxH)	90x74x55 mm
weight	140g



ECG.0007.0

DATA-SHEET



OPERATING MODE:

To set DMX address connect the DMX generator to wire A and B, red light in position 19 will blink correctly if DMX is connected.
 Set DMX generator to the max value on the desired channel,(for example channel 6=255) then push and hold DMX set button on the box in connector position 13.
 The red LED on board stay on 3 second then blink to indicate the setting is complete.
 Be careful that the A and B wires are properly connected.