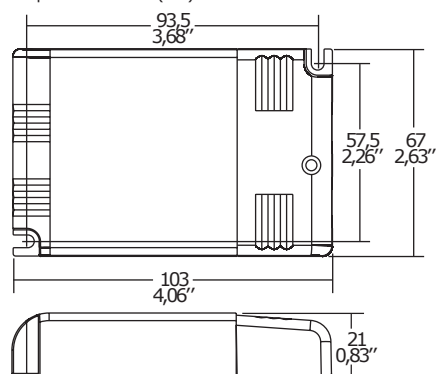


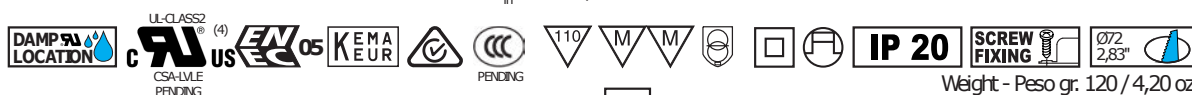
PSU.0001.0

Compatible with ZHAGA (AS1)



P _{out} W	V _{out} DC	I _{out} DC	V _{out} max	t _a °C	t _c °C	I max Power Factor	η max Efficiency ⁽¹⁾
Constant current output - Uscita in corrente costante				-25...+45	75	0,95 ⁽⁶⁾	> 88
13 (13 ⁽²⁾)	15...53	250 mA cost.	59				
16 (15 ⁽²⁾)	15...53	300 mA cost.					
18 (15 ⁽²⁾)	10...53	350 mA cost.					
21 (15 ⁽²⁾)	10...53	400 mA cost.					
23 (15 ⁽²⁾)	5...52	450 mA cost.					
25 (15 ⁽²⁾)	2...50	500 mA cost.					
27 (15 ⁽²⁾)	2...50	550 mA cost.					
30 (15 ⁽²⁾)	2...50	600 mA cost.					
32 (15 ⁽²⁾)	2...49	650 mA cost.					
32 (15 ⁽²⁾)	2...46	700 mA cost.					
20 (15 ⁽²⁾)	2...27	750 mA cost.					
20 (15 ⁽²⁾)	2...25	800 mA cost.					
20 (15 ⁽²⁾)	2...24	850 mA cost.					
20 (15 ⁽²⁾)	2...22	900 mA cost.					
Constant voltage output - Uscita in tensione costante							
11 (11 ⁽²⁾)	12 cost.	900 mA max.	-				
20 (15 ⁽²⁾)	24 cost.	830 mA max.	-				

⁽¹⁾ Referred to V_{in} = 230 V, 100%load ⁽⁶⁾ P_{out} > 15W



Weight - Peso gr. 120 / 4,20 oz.

EL SELV

Rated Voltage

Tensione Nominale

110 ÷ 127 V^{(2) (4)}

220 ÷ 240 V

Frequency

Frequenza

50...60 Hz

AC Operation range

Tensione di utilizzo AC

99 ÷ 264 V

DC Operation range

Tensione di utilizzo DC

176 ÷ 276 V

(NO PUSH mode function)

Power out

Potenza uscita

0 ÷ 33 W

Output current ripple

≤ 3%⁽¹⁾

Reference Norms

Norme di riferimento

CSA-C22.2 n° 250.13⁽⁴⁾

EN 50172 (VDE 0108)

EN 55015

EN 61000-3-2

EN 61000-3-3

EN 61347-1

EN 61347-2-13

EN 61547

EN 62384

UL 1310⁽⁸⁾

UL 8750⁽⁹⁾

VDE 0710-T14

Max. pcs for CB B16A

50 pcs

In rush current

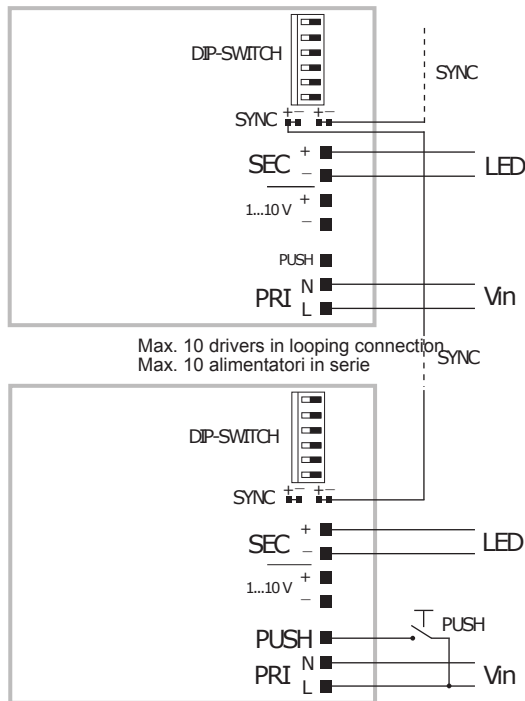
5A 50µsec

Features

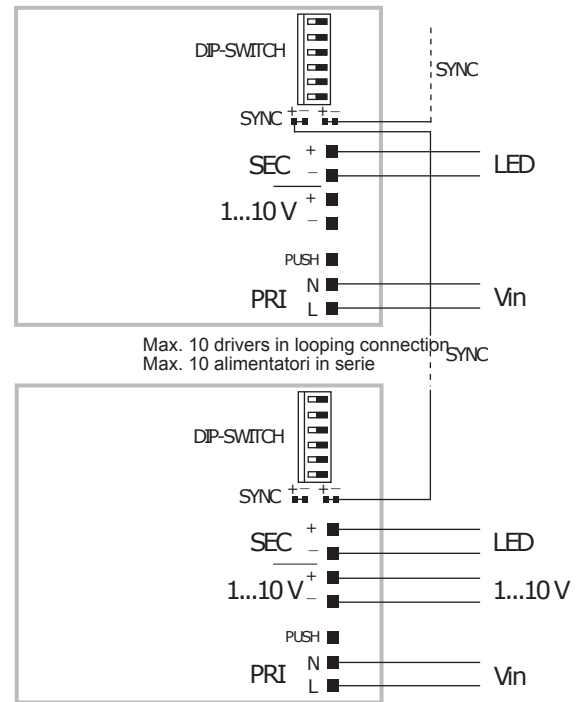
- Multipower driver supplied with dip-switch for the selection of the output current and voltage.
- IP20 independent driver, for indoor use (DC JOLLY US).
- Class II protection against electric shock for direct or indirect contact (DC JOLLY US).
- Driver for built-in use (DC JOLLY US BI).
- It can be used for lighting equipment in protection class I and II (DC JOLLY US BI).
- Active Power Factor Corrector.
- Input and output terminal blocks on the same side (wire cross-section up to 1,5 mm²/AWG15).
- Clamping screws on primary and secondary circuits for cables with diameter: min. 3 mm - max. 8 mm (DC JOLLY US).
- Protections:
 - against overheating and short circuits;
 - against mains voltage spikes;
 - against overloads.
- Thermal protection = C.5.a.

PSU.0001.0

Wiring diagram - Schema di collegamento



PUSH diagram - Collegamento PUSH



1...10 V diagram - Collegamento 1...10 V

Operation Mode

- Light regulation 0/0,5 - 100 % by means of PUSH function, 1...10 V interface (I=0,35 mA) or 100 Kohm potentiometer.
- Light regulation 0/0,5 - 100 % by means of PUSH function (L mains voltage: 170 Kohm):
 - a short push to turn on and off;
 - a longer push to increase or decrease light intensity;
 - regulation automatically stops at minimum and maximum values;
 - for another on, regulation or off command, release the push button and give the desired command again.

- dimming level memory at mains restore.

- Possibility to use PUSH function to 4/5 drivers without sync cable.
- Maximum length of the cables, from push button to last driver, must be max. 15 m. In case of applications where the cable is longer than 15 m, keep this separate from the 110 - 240 Volt mains cable.
- ATTENTION: only use normally open push buttons with no incorporated warning light.
- Specific dimming terminal connection with a 1...10 Vdc electronic potentiometer (1...10 V local dimming, double insulation required for external connection).
- Max. 10 synchronised drivers of which only one can be controlled (1 Master + 9 Slaves of any JOLLY Series).
- Synchronization cable is separately supplied.
- Regulation is possible by means of DALI and DMX coupled with DALI/DMX INTERFACE.

For additional details for regulations see pages info12-14.

DIP SWITCH position	1	2	3	4	5	6
250 mA	-	-	-	-	-	-
300 mA	-	-	-	-	-	ON
350 mA	-	-	-	-	ON	-
400 mA	-	-	-	-	ON	ON
450 mA	-	-	-	ON	-	-
500 mA	-	-	-	ON	-	ON
24 Vdc	ON	-	ON	ON	ON	ON