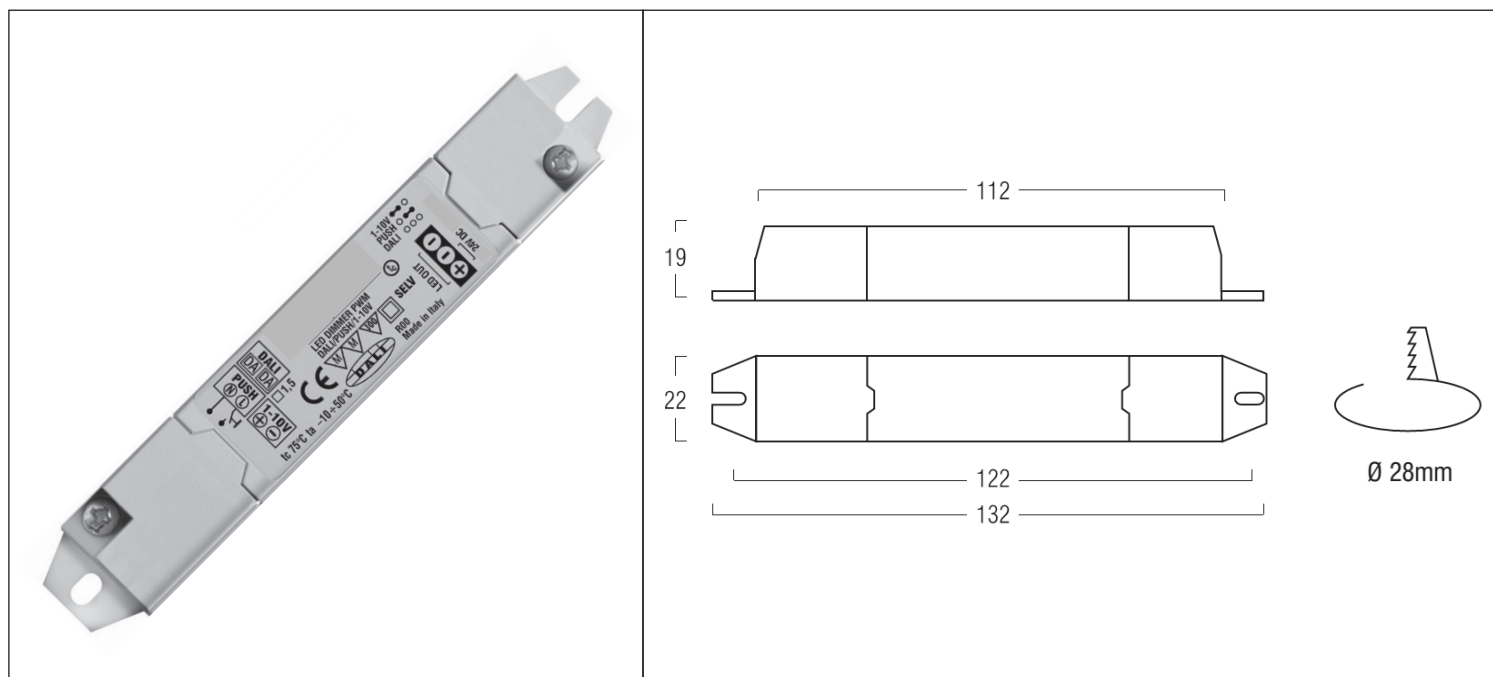


ECG.0016.0
DATA-SHEET



PRODUCT DESCRIPTION:

1 channel DALI LED-Dimmer, suitable for constant voltage LED modules.
Low standby power consumption, high efficiency.

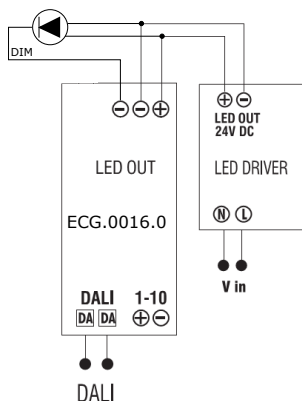
TECHNICALS FEATURES:

supply voltage	24 Vdc ($\pm 5\%$)
max output current	5 A
max output power	120 W
control input	DALI, push- dimming, 1-10V
operating mode	DT6 (individual channel control via 1 DALI address)
current consumption DALI	2 mA
dimming range	2%-100%
ambient temperature	-25 ÷ 50 °C
max case temperature	75 °C
expected lifetime (at Tc\leq75°C)	>100000h
protection class	IP20
max connecting wire cross section	1,5 mm ²
cable diameter	4 ÷ 6 mm
dimensions (LxWxH)	132x22x19 mm
weight	50g

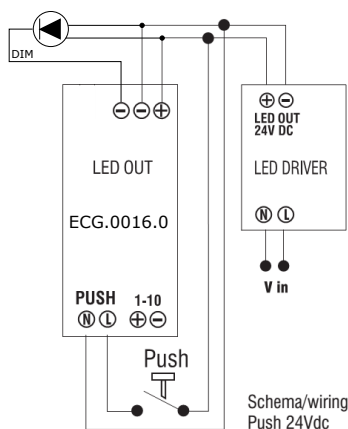


Wiring with three cables :

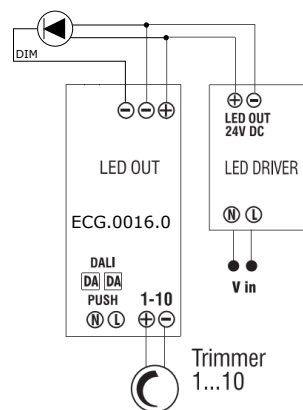
Schema di collegamento DALI
Wiring diagram DALI



Schema di collegamento Push
Wiring diagram Push

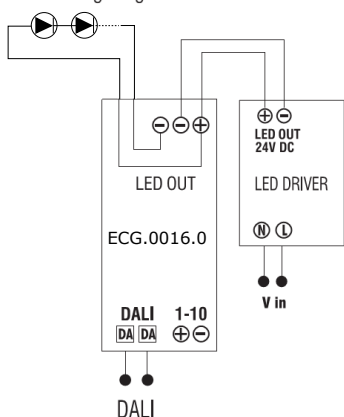


Schema di collegamento trimmer, 1/10V
Wiring diagram trimmer, 1/10V

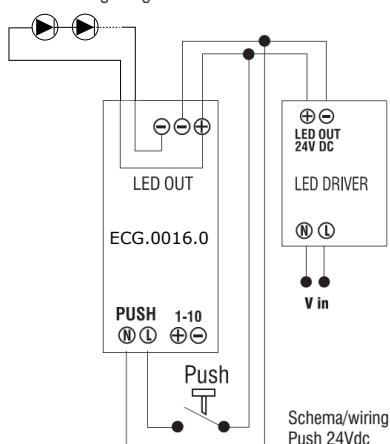


Wiring with two cables :

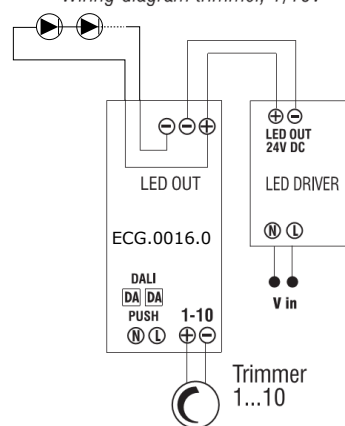
Schema di collegamento DALI
Wiring diagram DALI



Schema di collegamento Push
Wiring diagram Push



Schema di collegamento trimmer, 1/10V
Wiring diagram trimmer, 1/10V



OPERATING MODE:

The device has three distinct modes of operation selected via jumper (are alternative to each other):

1) DALI dimming 2) Push dimming 3) 1-10V dimming.

Restart after a power failure, resumption of the last set point.

Low level in Push is different from 0 to distinguish it from OFF.

-DALI: the device can be controlled by its own address (device type 6)

-Push-dimming: Short press the push button for ON/Off.

Long press the push button to increase light intensity (2-100%).

Regulation automatically stops at minimum and maximum values.

Memory of the last data dimming. At each ON the driver start from the last data set.

Method of resynchronisation (sometimes the system could be out of sync, i.e. some lamps will be on, thers off, etc.).

In Off/On position press the push key for a long time (30 sec.), the driver will be 100% and the system will now be resynchronised.

Total lenght of push cables: 15m

- 1-10V: You can use commercial dimmer 1-10V.

The LED brightness varies proportionally to the signal sent to the terminal from 2 to 100%.

You can use 100K potentiometers. The variation in the brightness of the LED is in proportional or logarithmic depending on the model used potentiometer (recommended logarithmic).

DALI & Push-dimming restart after a power failure at the last data set.

