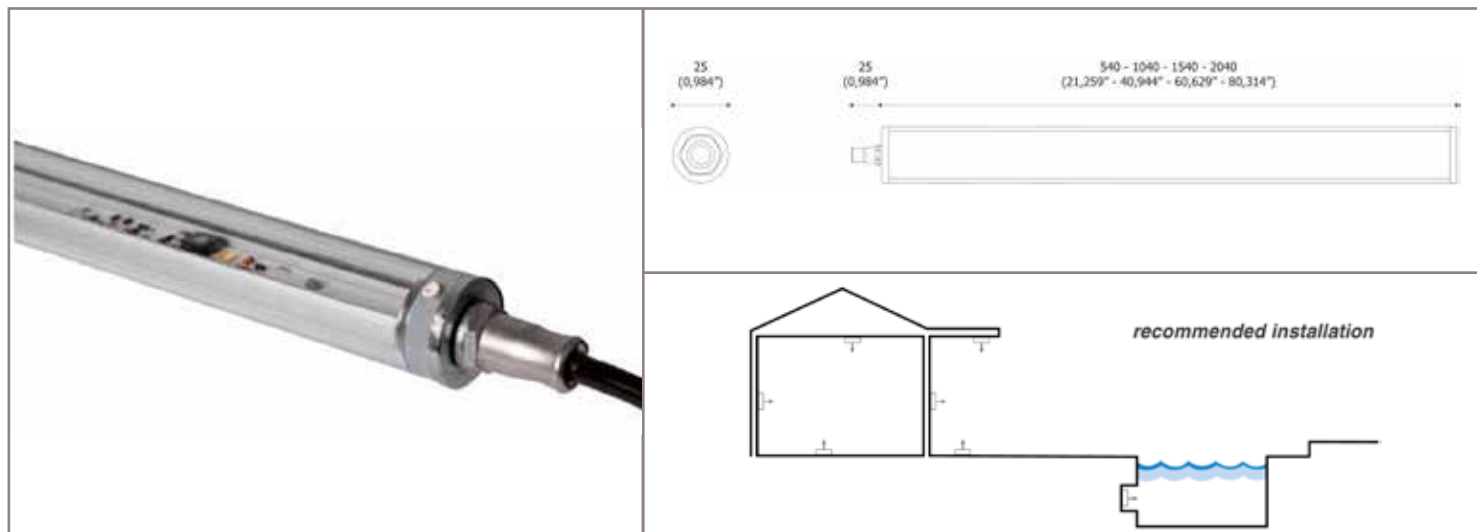


## VITRO Monochromatic Power LED DATA-SHEET



### PRODUCT DESCRIPTION:

Professional linear lighting system for direct and indirect lighting suitable for indoor, outdoor and underwater settings, permanent immersion down to 10 meters (32,8 ft).

Body finished aluminum, stainless steel and polycarbonate transparent. All the materials are suitable for use in swimming pools, fountains and with salt water. UV resistance of all materials.

### TECHNICALS FEATURES:

<b>Materials</b>	Aluminium alloy extrusion UNI 6060 ; Stainless steel AISI 316L ; Polycarbonate
<b>Finishes</b>	Transparent colourless
<b>Power Supply</b>	24 Vdc constant voltage
<b>Power</b>	12 W/m pitch 100 (3,937 in) ; 24 W/m pitch 50 (1,968 in)
<b>Light Source</b>	Power LED LM 80 COMPLIANT
<b>Pitch</b>	100 mm (3,937 in) ; 50 mm (1,968 in)
<b>Color Temperature</b>	2700 K ; 3000 K ; 4000 K
<b>Ra</b>	> 80
<b>Chromatic Selection</b>	Mac-Adam 2-step
<b>Lifetime</b>	> 50000 h (TM21 L80 B10 @50000h)
<b>Optics</b>	Transparent diffuser 104°
<b>Tc metal body</b>	< 90 °C
<b>Ta operating temperature</b>	- 30 ÷ 50 C°
<b>Ts surface temperature</b>	≤ 65 °C
<b>Functions</b>	On/Off ; dimmable
<b>Cable</b>	AWM style 20233 2xAWG18 (Red;Black)+1xAWG20 (Violet) L. 1 m.
<b>Weigth</b>	572 g/m
<b>Installations</b>	Surface mounted (wall, floor, ceiling) - immersion
<b>Norms</b>	60598-1 ; 60598-2 and its parts



### NOTE:

Power supplies, control&dimming devices and fixing kits must to be orderd separately. Aldabra power supply consumption is equal to 15% of the fixture nominal power.

Photometric data available at [www.aldabra.it](http://www.aldabra.it)

## VITRO Monochromatic Power LED DATA-SHEET

### GENERAL FEATURES:

	power (W)	length mm (in)	pitch mm (in)
VIT.01.XXXXX.X	6	570 (22,44")	100 (3,937")
VIT.02.XXXXX.X	12	1070 (42,125")	100 (3,937")
VIT.03.XXXXX.X	17	1570 (61,811")	100 (3,937")
VIT.04.XXXXX.X	23	2070 (81,496")	100 (3,937")
VIT.05.XXXXX.X	12	570 (22,44")	50 (1,968")
VIT.06.XXXXX.X	24	1070 (42,125")	50 (1,968")
VIT.07.XXXXX.X	35	1570 (61,811")	50 (1,968")
VIT.08.XXXXX.X	47	2070 (81,496")	50 (1,968")

### OPTICAL FEATURES:

VIT.XX.TXXXX.X	Transparent diffuser 104°
----------------	---------------------------

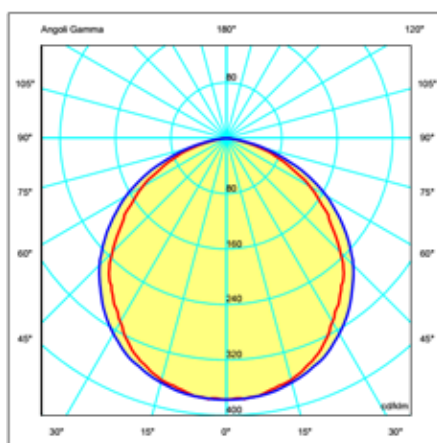
### LIGHT FEATURES:

	Power LED	pitch (mm)	lm/m*	Ra	Chromatic selection
VIT.XX.X27XX.X	2700K warm white	100	348	>80	MacAdam 2-step
VIT.XX.X30XX.X	3000K warm white	100	366	>80	MacAdam 2-step
VIT.XX.X40XX.X	4000K neutral white	100	400	>80	MacAdam 2-step
VIT.XX.X27XX.X	2700K warm white	50	695	>80	MacAdam 2-step
VIT.XX.X30XX.X	3000K warm white	50	732	>80	MacAdam 2-step
VIT.XX.X40XX.X	4000K neutral white	50	800	>80	MacAdam 2-step

\*delivered luminous flux

### FINISHES FEATURES:

VIT.XX.XXXP2.X	Polycarbonate
----------------	---------------



transparent diffuser 104°

### GENERAL INFORMATIONS:

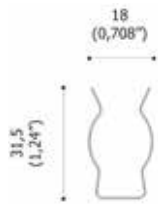
Kindly note that atmospheric agents ( such as lightnings, etc ) , electrostatics charges or disturbances on the installation not caused by Aldabra lighting fixtures and Led drivers indicated by Aldabra itself, may cause damages on the fixtures. It is necessary that the electrical installation where the LED lighting fittings and their power supply units and control gears are installed must be equipped with proper devices for the protection and suppression of transient phenomena (SPD, isolation transformer, etc...). Such devices must be coordinated with the other protections of the installation; on this theme, it's necessary to refer to the electrical installations norms which are in force in each country.

## VITRO Monochromatic Power LED DATA-SHEET

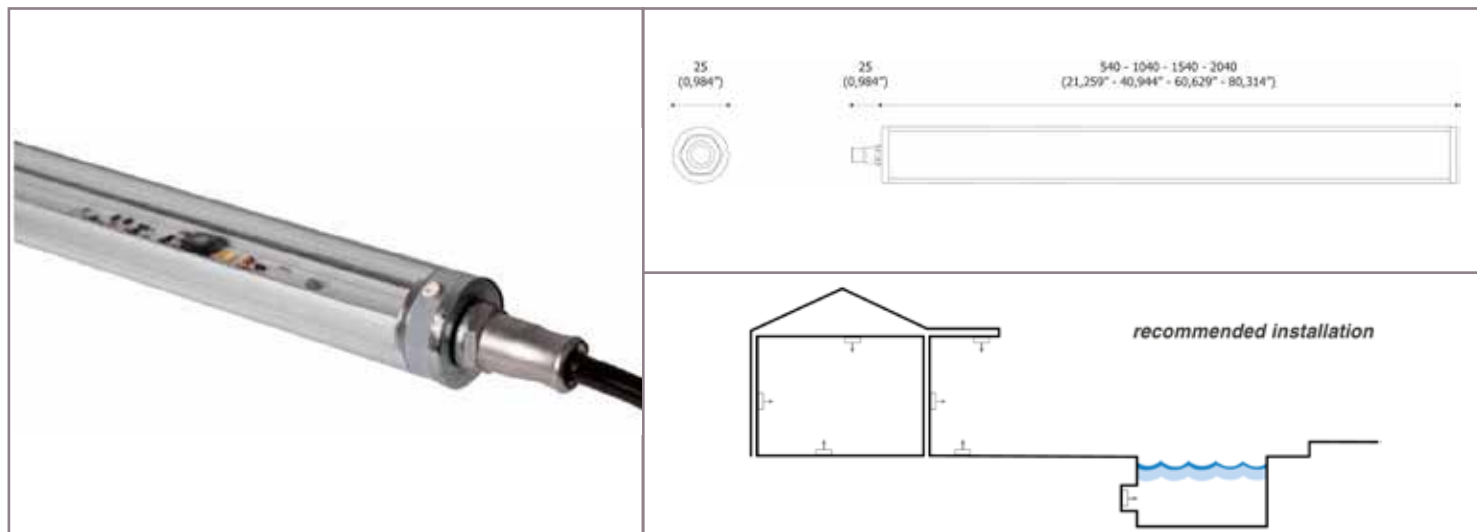
### ACCESSORIES:

#### ACC.0072.0

stainless steel fixing spring



## VITRO Monochromatic Mid-Power LED DATA-SHEET



### PRODUCT DESCRIPTION:

Professional linear lighting system for direct and indirect lighting suitable for indoor, outdoor and underwater settings, permanent immersion down to 10 meters (32,8 ft).

Body finished aluminum, stainless steel and polycarbonate transparent. All the materials are suitable for use in swimming pools, fountains and with salt water. UV resistance of all materials.

### TECHNICALS FEATURES:

<b>Materials</b>	Aluminium alloy extrusion UNI 6060 ; Stainless steel AISI 316L ; Polycarbonate
<b>Finishes</b>	Transparent colourless
<b>Power Supply</b>	24 Vdc constant voltage
<b>Power</b>	8 W/m
<b>Light Source</b>	Mid-Power LED/SMD LM 80 COMPLIANT
<b>Pitch</b>	20 mm (0,787 in)
<b>Color Temperature</b>	2700 K ; 3000 K ; 3300 K ; 3700 K ; 5200 K
<b>Ra</b>	> 80
<b>Chromatic Selection</b>	Mac-Adam 3-step
<b>Lifetime</b>	> 50000 h (TM21 L80 B10 @50000h)
<b>Optics</b>	Transparent diffuser 104°
<b>Tc metal body</b>	< 90 °C
<b>Ta operating temperature</b>	- 30 ÷ 50 C°
<b>Ts surface temperature</b>	≤ 65 °C
<b>Functions</b>	On/Off ; dimmable
<b>Cable</b>	AWM style 20233 2xAWG18 (Red;Black)+1xAWG20 (Violet) L. 1 m.
<b>Weigth</b>	572 g/m
<b>Installations</b>	Surface mounted (wall, floor, ceiling) - immersion
<b>Norms</b>	60598-1 ; 60598-2 and its parts



### NOTE:

Power supplies, control&dimming devices and fixing kits must to be orderd separately. Aldabra power supply consumption is equal to 15% of the fixture nominal power.  
Photometric data available at [www.aldabra.it](http://www.aldabra.it)

## VITRO Monochromatic Mid-Power LED DATA-SHEET

### GENERAL FEATURES:

	power (W)	length mm (in)	pitch mm (in)
<b>VIT.09.XXXXX.X</b>	4	570 (22,44")	20 (0,787")
<b>VIT.10.XXXXX.X</b>	8	1070 (42,125")	20 (0,787")
<b>VIT.11.XXXXX.X</b>	12	1570 (61,811")	20 (0,787")
<b>VIT.12.XXXXX.X</b>	15	2070 (81,496")	20 (0,787")

### OPTICAL FEATURES:

VIT.XX.TXXXX.X	Transparent diffuser 104°
----------------	---------------------------

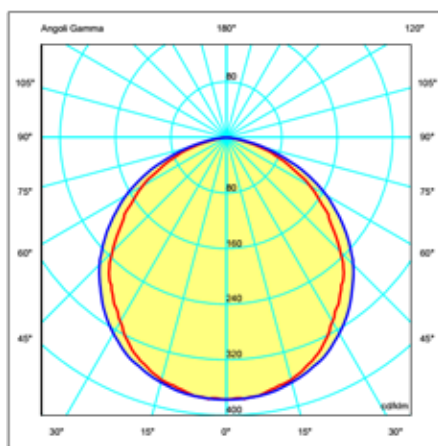
### LIGHT FEATURES:

	Power LED	lm/m*	Ra	Chromatic selection
VIT.XX.X <b>27</b> XX.X	2700K warm white	168	>80	MacAdam 3-step
VIT.XX.X <b>30</b> XX.X	3000K warm white	188	>80	MacAdam 3-step
VIT.XX.X <b>33</b> XX.X	3300K warm white	188	>80	MacAdam 3-step
VIT.XX.X <b>37</b> XX.X	3700K neutral white	218	>80	MacAdam 3-step
VIT.XX.X <b>52</b> XX.X	5200K cool white	251	>80	MacAdam 3-step

\*delivered luminous flux

### FINISHES FEATURES:

VIT.XX.XXX <b>P2</b> .X	Polycarbonate
-------------------------	---------------



### GENERAL INFORMATIONS:

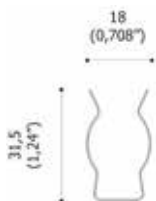
Kindly note that atmospheric agents ( such as lightnings, etc ) , electrostatics charges or disturbances on the installation not caused by Aldabra lighting fixtures and Led drivers indicated by Aldabra itself, may cause damages on the fixtures. It is necessary that the electrical installation where the LED lighting fittings and their power supply units and control gears are installed must be equipped with proper devices for the protection and suppression of transient phenomena (SPD, isolation transformer, etc...). Such devices must be coordinated with the other protections of the installation; on this theme, it's necessary to refer to the electrical installations norms which are in force in each country.

## VITRO Monochromatic Mid-Power LED DATA-SHEET

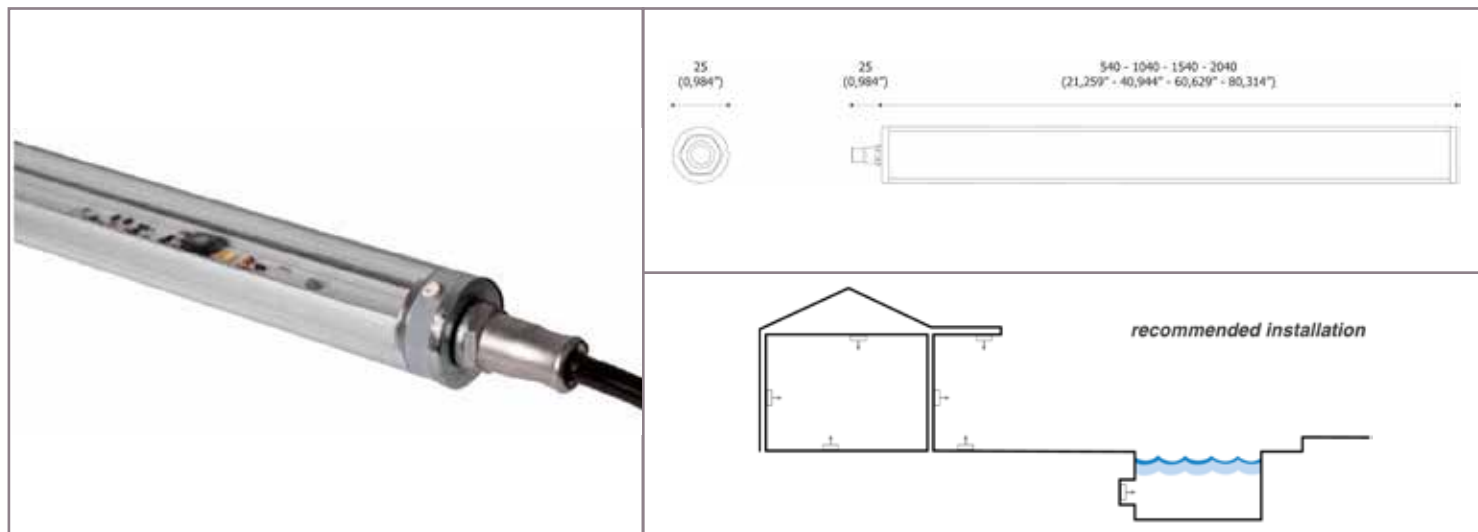
### ACCESSORIES:

#### ACC.0072.0

stainless steel fixing spring



## VITRO RGB DATA-SHEET



### PRODUCT DESCRIPTION:

Professional linear lighting system for direct and indirect lighting suitable for indoor, outdoor and underwater settings, permanent immersion down to 10 meters (32,8 ft).  
Body finished aluminum, stainless steel and polycarbonate transparent. All the materials are suitable for use in swimming pools, fountains and with salt water. UV resistance of all materials.

### TECHNICALS FEATURES:

<b>Materials</b>	Aluminium alloy extrusion UNI 6060 ; Stainless steel AISI 316L ; Polycarbonate
<b>Finishes</b>	Transparent colourless
<b>Power Supply</b>	24 Vdc constant voltage
<b>Power</b>	15 W/m
<b>Light Source</b>	Signal LED LM 80 COMPLIANT
<b>Pitch</b>	20 mm (0,787 in)
<b>Dominant Wavelength</b>	R=622nm, G=530nm, B=470nm
<b>Lifetime</b>	> 50000 h (TM21 L80 B10 @50000h)
<b>Optics</b>	Transparent diffuser 104°
<b>Tc metal body</b>	< 90 °C
<b>Ta operating temperature</b>	- 30 ÷ 50 C°
<b>Ts surface temperature</b>	≤ 65 °C
<b>Functions</b>	On/Off ; dimmable
<b>Cable</b>	2x AWM style 20233 2xAWG18 (Red;Black)+3xAWG20 (R/b, G/b, B/b) L. 1 m.
<b>Weigth</b>	572 g/m
<b>Installations</b>	Surface mounted (wall, floor, ceiling) - immersion
<b>Norms</b>	60598-1 ; 60598-2 and its parts



### NOTE:

Power supplies, control&dimming devices and fixing kits must to be orderd separately. Aldabra power supply consumption is equal to 15% of the fixture nominal power.  
Photometric data available at [www.aldabra.it](http://www.aldabra.it)

## VITRO RGB DATA-SHEET

### GENERAL FEATURES:

	power (W)	length mm (in)	pitch mm (in)
<b>VIT.01.XXXXX.X</b>	8	570 (22,44")	20 (0,787")
<b>VIT.02.XXXXX.X</b>	15	1070 (42,125")	20 (0,787")
<b>VIT.03.XXXXX.X</b>	23	1570 (61,811")	20 (0,787")
<b>VIT.04.XXXXX.X</b>	30	2070 (81,496")	20 (0,787")

### OPTICAL FEATURES:

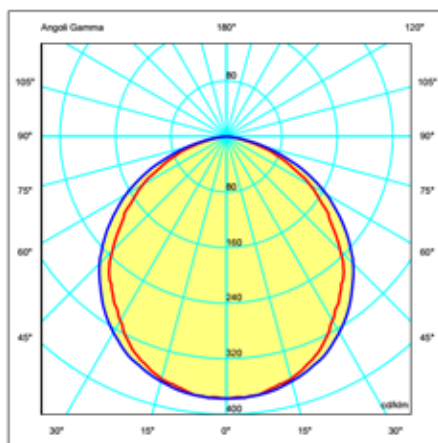
VIT.XX.TXXXX.X	Transparent diffuser 104°
----------------	---------------------------

### LED FEATURES:

	Signal LED
VIT.XX.X90XX.X	R, G, B

### FINISHES FEATURES:

VIT.XX.XXXP2.X	Polycarbonate
----------------	---------------



transparent diffuser 104°

### GENERAL INFORMATIONS:

Kindly note that atmospheric agents ( such as lightnings, etc ) , electrostatics charges or disturbances on the installation not caused by Aldabra lighting fixtures and Led drivers indicated by Aldabra itself, may cause damages on the fixtures. It is necessary that the electrical installation where the LED lighting fittings and their power supply units and control gears are installed must be equipped with proper devices for the protection and suppression of transient phenomena (SPD, isolation transformer, etc...). Such devices must to be coordinated with the other protections of the installation; on this theme, it's necessary to refer to the electrical installations norms which are in force in each country.



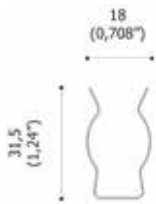
## VITRO RGB

DATA-SHEET

### ACCESSORIES:

#### ACC.0072.0

stainless steel fixing spring



Product code	Code	Release date	Product	Power	Supply	CCT	Optics	lux (lm) *l=25 **	Fixture Flux (lm)
VIT.01.T27P2.0	VIT.01.T27P2.0	14/5	Vitro	6W	24V	2700 K	Trasparent diffuser	714,00**	430,80
VIT.01.T30P2.0	VIT.01.T30P2.0	14/5	Vitro	6W	24V	3000 K	Trasparent diffuser	742,00**	449,22
VIT.01.T40P2.0	VIT.01.T40P2.0	14/5	Vitro	6W	24V	4000 K	Trasparent diffuser	798,00**	483,09
VIT.05.T27P2.0	VIT.05.T27P2.0	14/5	Vitro	12W	24V	2700 K	Trasparent diffuser	1428,00**	861,61
VIT.05.T30P2.0	VIT.05.T30P2.0	14/5	Vitro	12W	24V	3000 K	Trasparent diffuser	1484,00**	898,43
VIT.05.T40P2.0	VIT.05.T40P2.0	14/5	Vitro	12W	24V	4000 K	Trasparent diffuser	1596,00**	966,17
VIT.09.D27P2.0	VIT.09.D27P2.0	16/1	Vitro	4W	24V	2700 K	Trasparent diffuser	275,00*	167,06
VIT.09.D30P2.0	VIT.09.D30P2.0	16/1	Vitro	4W	24V	3000 K	Trasparent diffuser	309,37*	187,94
VIT.09.D33P2.0	VIT.09.D33P2.0	16/1	Vitro	4W	24V	3300 K	Trasparent diffuser	309,37*	187,94
VIT.09.D37P2.0	VIT.09.D37P2.0	16/1	Vitro	4W	24V	3700 K	Trasparent diffuser	357,50*	217,17
VIT.09.D52P2.0	VIT.09.D52P2.0	16/1	Vitro	4W	24V	5200 K	Trasparent diffuser	412,50*	250,58
VIT.01.D90P2.0	VIT.01.D90P2.0	16/1	Vitro	8W	24V	RGB	Trasparent diffuser	227,50*	138,21
VIT.01.D90P2.0	VIT.01.D90P2.0 R	16/1	Vitro	2,6W	24V	RGB	Trasparent diffuser	58,25*	35,39
VIT.01.D90P2.0	VIT.01.D90P2.0 G	16/1	Vitro	2,6W	24V	RGB	Trasparent diffuser	125,50*	76,24
VIT.01.D90P2.0	VIT.01.D90P2.0 B	16/1	Vitro	2,6W	24V	RGB	Trasparent diffuser	43,75*	26,58