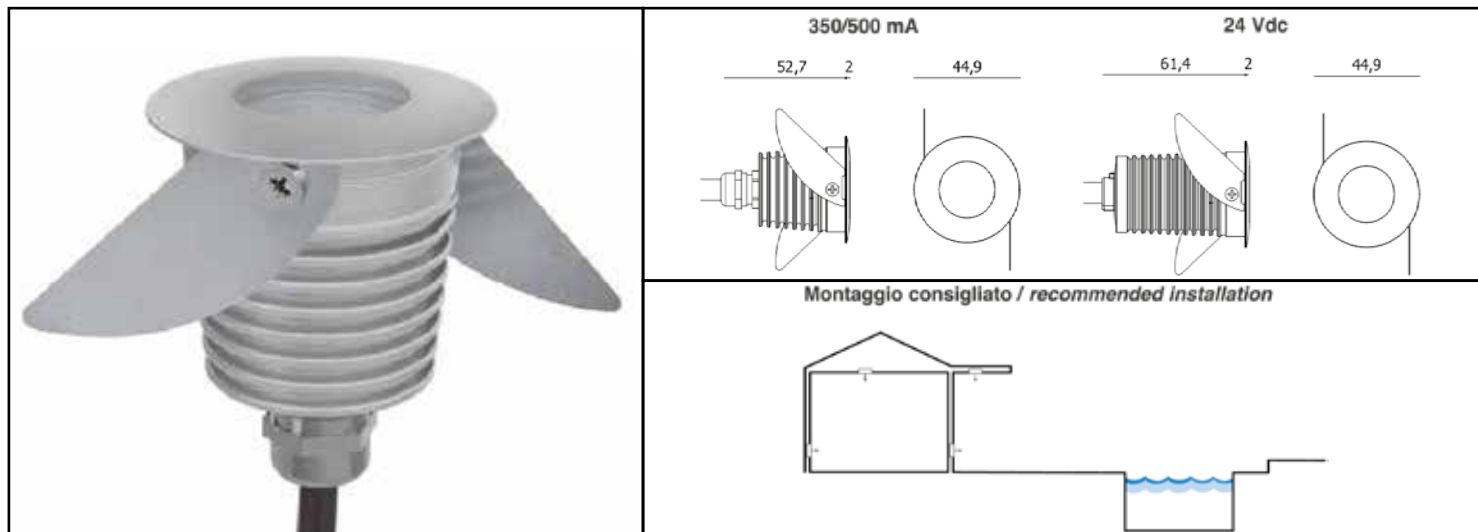


GAMMA HIGH POWER LED Monochromatic DATA-SHEET



PRODUCT DESCRIPTION:

Recessed professional fixed fixture suitable for indoor and outdoor settings.
Body Anticorodal aluminium alloy EN AW-6060, front stainless steel 316L and tempered transparent or satin flat glass.
UV resistance of all materials.

TECHNICALS FEATURES:

Materials	Anticorodal aluminium alloy EN AW-6060 ; Stainless steel inox AISI 316L ; tempered transparent or satin flat glass
Front Finishes	Anticorodal aluminium alloy EN AW-6060
Power Supply	350 mA or 24 Vdc constant voltage
Power	4 W @350 mA - 4,5 W @24 Vdc
Light Source	High Power LED LM 80 COMPLIANT
Color Temperature	2700 K ; 3000K ; 4000K
Ra	> 80
Chromatic Selection	Mac-Adam 3-step
Lifetime	> 50000 h (TM21 L80 B10 @50000h)
Optics	medium beam 24° ; wide beam 48° ; satin diffuser 97°
Tc metal body	< 90 °C
Ta operating temperature	- 30 ÷ 50 °C
Ts surface temperature	≤ 65 °C
Functions	On/Off ; dimmable
Cable	350 mA: AWM style 20233 2xAWG18 (Red;Black) Ø 5,2 L. 0,5 m. 24 Vdc: AWM style 20233 2xAWG18 (Red;Black)+1xAWG20 (Violet) Ø 6,2 L. 0,5 m.
Weigth	140 g
Installations	Recessed (wall, ceiling)
Norms	60598-1 ; 60598-2 and its parts



NOTE:

Power supplies, control&dimming devices and fixing kits must to be orderd separately. Aldabra power supply consumption is equal to 15% of the fixture nominal power.
Photometric data available at www.aldabra.it

GAMMA HIGH POWER LED Monochromatic DATA-SHEET

GENERAL FEATURES:

	power @350 mA	power @24 Vdc
GAM.03.XXXXX.X	4W	
GAM.04.XXXXX.X		4,5W

OPTICAL FEATURES:

GAM.XX.FXXXX.X	Medium beam 24°
GAM.XX.WXXXX.X	Wide beam 48°
GAM.XX.SXXXX.X	Satn diffuser 97°

LED FEATURES:

	High Power LED	lm/W	Ra	Chromatic selection
GAM.XX.X27XX.X	2700K warm white	105	>80	MacAdam 3-step
GAM.XX.X30XX.X	3000K warm white	118	>80	MacAdam 3-step
GAM.XX.X40XX.X	4000K neutral white	130	>80	MacAdam 3-step

FINISHES FEATURES:

GAM.XX.XXXA1.X	Aluminium anodized
-----------------------	--------------------

GENERAL INFORMATIONS:

Kindly note that atmospheric agents (such as lightnings, etc) , electrostatics charges or disturbances on the installation not caused by Aldabra lighting fixtures and Led drivers indicated by Aldabra itself, may cause damages on the fixtures. It is necessary that the electrical installation where the LED lighting fittings and their power supply units and control gears are installed must be equipped with proper devices for the protection and suppression of transient phenomena (SPD, isolation transformer, etc...). Such devices must to be coordinated with the other protections of the installation; on this theme, it's necessary to refer to the electrical installations norms which are in force in each country.

GAMMA HIGH POWER LED Monochromatic DATA-SHEET

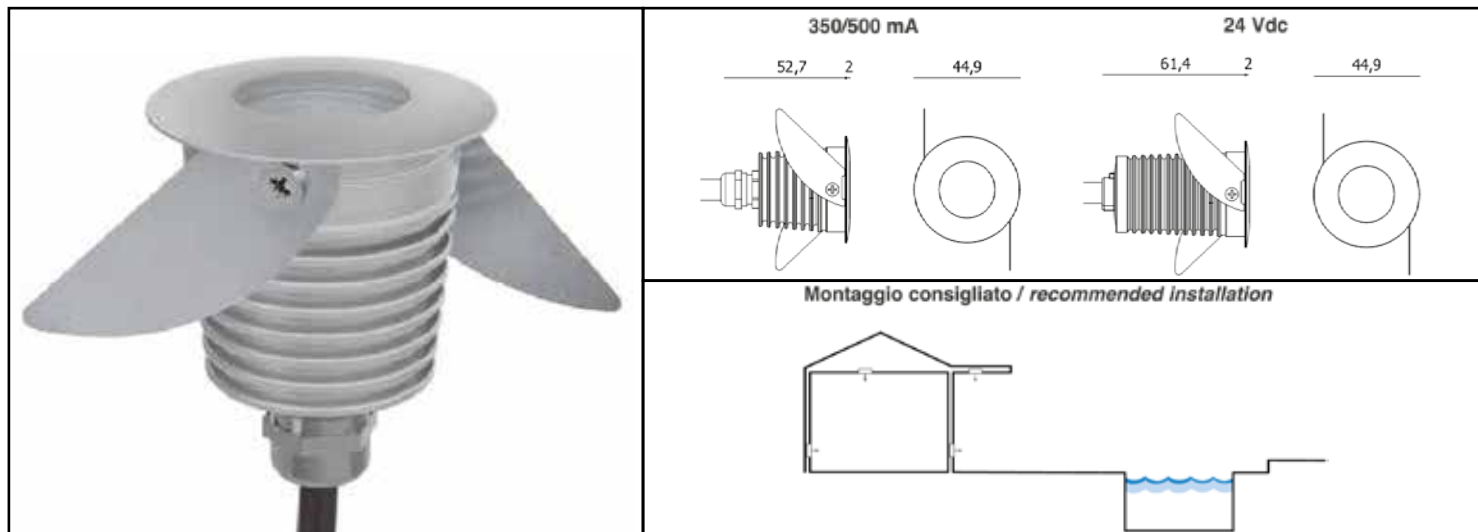
RECESSING BOXES:

CSF.0012.0

standard recessing box



GAMMA POWER LED Monochromatic DATA-SHEET



PRODUCT DESCRIPTION:

Recessed professional fixed fixture suitable for indoor and outdoor settings.
Body Anticorodal aluminium alloy EN AW-6060, front stainless steel 316L and tempered transparent or satin flat glass.
UV resistance of all materials.

TECHNICALS FEATURES:

Materials	Anticorodal aluminium alloy UNI 6060 ; Stainless steel inox AISI 316L ; tempered transparent or satin flat glass
Front Finishes	Satin stainless steel inox Aisi 316 L or Anodized aluminium anticorodal alloy UNI 6060
Power Supply	350/500 mA or 24 Vdc constant voltage
Power	1 W @350 mA - 1,5 W @500 mA - 2 W @24 Vdc
Light Source	Power LED LM 80 COMPLIANT
Color Temperature	2700 K ; 3000K ; 4000K
Ra	> 80
Chromatic Selection	Mac-Adam 2-step
Lifetime	> 50000 h (TM21 L80 B10 @50000h)
Optics	Honeycomb 8° ; narrow beam 9° ; medium beam 24° ; wide beam 43° ; transparent difuser 111° ; satin diffuser 66°
Tc metal body	< 90 °C
Ta operating temperature	- 30 ÷ 50 °C
Ts surface temperature	≤ 65 °C
Functions	On/Off ; dimmable
Cable	350/500 mA: AWM style 20233 2xAWG18 (Red;Black) Ø 5,2 L. 0,5 m. 24 Vdc: AWM style 20233 2xAWG18 (Red;Black)+1xAWG20 (Violet) Ø 6,2 L. 0,5 m.
Weigth	140 g
Installations	Recessed (wall, ceiling)
Norms	60598-1 ; 60598-2 and its parts



NOTE:

Power supplies, control&dimming devices and fixing kits must to be orderd separately. Aldabra power supply consumption is equal to 15% of the fixture nominal power.
Photometric data available at www.aldabra.it

GAMMA POWER LED Monochromatic DATA-SHEET

GENERAL FEATURES:

	power @350 mA	power @500 mA	power @24 Vdc
GAM.01.XXXXX.X	1W	1,5W	
GAM.02.XXXXX.X			2W

OPTICAL FEATURES:

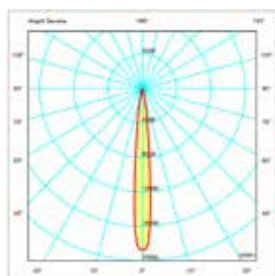
GAM.XX.HXXXX.X	Honeycomb 8°
GAM.XX.MXXXX.X	Narrow beam 9°
GAM.XX.FXXXX.X	Medium beam 24°
GAM.XX.WXXXX.X	Wide beam 43°
GAM.XX.TXXXX.X	Transparent diffuser 111°
GAM.XX.SXXXX.X	Satin diffuser 97°

LED FEATURES:

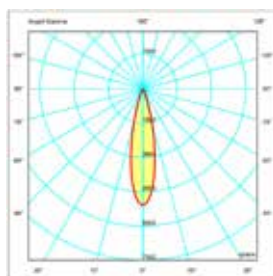
	Power LED	lm/W	Ra	Chromatic selection
GAM.XX.X27XX.X	2700K warm white	105	>80	MacAdam 2-step
GAM.XX.X30XX.X	3000K warm white	118	>80	MacAdam 2-step
GAM.XX.X40XX.X	4000K neutral white	130	>80	MacAdam 2-step

FINISHES FEATURES:

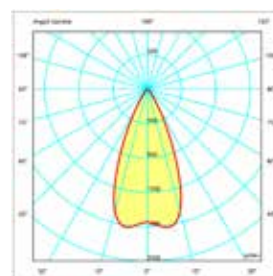
GAM.XX.XXXA1.X	Aluminium anodized
GAM.XX.XXXS1.X	Satin stainless steel 316L



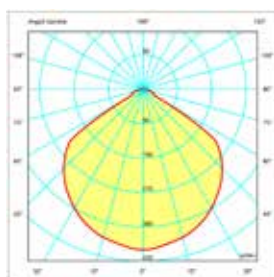
narrow beam 9°



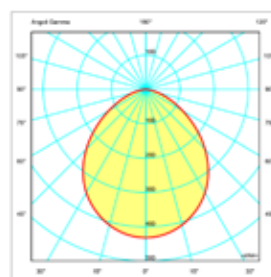
medium beam 24°



wide beam 43°



transparent diffuser 111°



satin diffuser 97°

GENERAL INFORMATIONS:

Kindly note that atmospheric agents (such as lightnings, etc) , electrostatics charges or disturbances on the installation not caused by Aldabra lighting fixtures and Led drivers indicated by Aldabra itself, may cause damages on the fixtures. It is necessary that the electrical installation where the LED lighting fittings and their power supply units and control gears are installed must be equipped with proper devices for the protection and suppression of transient phenomena (SPD, isolation transformer, etc...). Such devices must to be coordinated with the other protections of the installation; on this theme, it's necessary to refer to the electrical installations norms which are in force in each country.

GAMMA POWER LED Monochromatic DATA-SHEET

RECESSING BOXES:

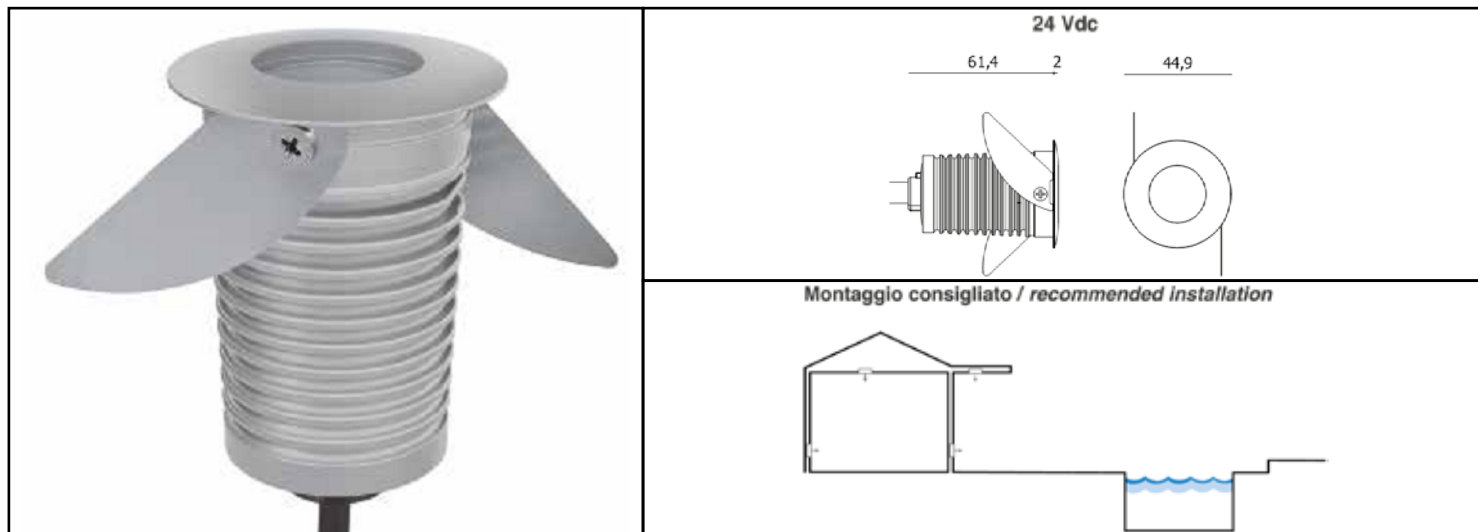
CSF.0012.0

standard recessing box



GAMMA RGB

DATA-SHEET



PRODUCT DESCRIPTION:

Recessed professional fixed fixture suitable for indoor and outdoor settings.
 Body Anticorodal aluminium alloy EN AW-6060, front stainless steel 316L and tempered transparent or satin flat glass.
 UV resistance of all materials.

TECHNICALS FEATURES:

Materials	Anticorodal aluminium alloy UNI 6060 ; Stainless steel inox AISI 316L ; tempered transparent or satin flat glass
Front Finishes	Satin stainless steel inox Aisi 316 L or Anodized aluminium anticorodal alloy UNI 6060
Power Supply	24 Vdc constant voltage
Power	4 W @24 Vdc
Light Source	Power LED LM 80 COMPLIANT
Dominant Wavelength	R=622nm, G=530nm, B=470nm
Lifetime	> 50000 h (TM21 L80 B10 @50000h)
Optics	wide beam 45° ; transparent difuser 111° ; satin diffuser 97°
Tc metal body	< 90 °C
Ta operating temperature	- 30 ÷ 50 °C
Ts surface temperature	≤ 65 °C
Functions	On/Off ; dimmable
Cable	AWM style 20233 2xAWG18 (Red;Black)+3xAWG20 (R/N, G/N, B/N) L. 1m.
Weigth	140 g
Installations	Recessed (wall, ceiling)
Norms	60598-1 ; 60598-2 and its parts



NOTE:

Power supplies, control&dimming devices and fixing kits must to be orderd separately. Aldabra power supply consumption is equal to 15% of the fixture nominal power.
 Photometric data available at www.aldabra.it

GAMMA RGB DATA-SHEET

GENERAL FEATURES:

power @24 Vdc

GAM.02.XXXXX.X

2W

OPTICAL FEATURES:

GAM.XX.WXXXX.X

Wide beam 45°

GAM.XX.TXXXX.X

Transparent diffuser 111°

GAM.XX.SXXXX.X

Satin diffuser 97°

LED FEATURES:

Power LED

GAM.XX.X90XX.X

R, G, B

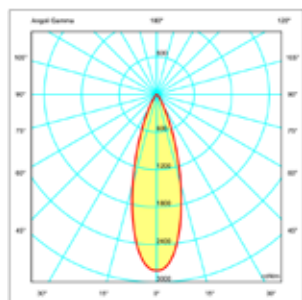
FINISHES FEATURES:

GAM.XX.XXXA1.X

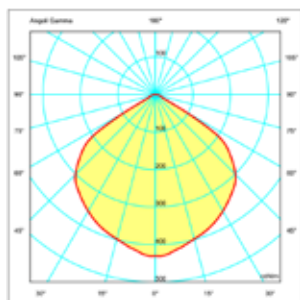
Aluminium anodized

GAM.XX.XXXS1.X

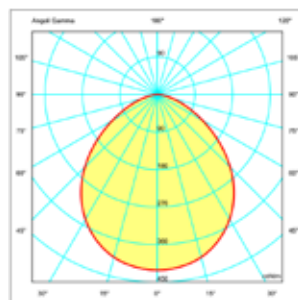
Satin stainless steel 316L



wide beam 45°



transparent diffuser 59°



satin diffuser 59°

GENERAL INFORMATIONS:

Kindly note that atmospheric agents (such as lightnings, etc) , electrostatics charges or disturbances on the installation not caused by Aldabra lighting fixtures and Led drivers indicated by Aldabra itself, may cause damages on the fixtures. It is necessary that the electrical installation where the LED lighting fittings and their power supply units and control gears are installed must be equipped with proper devices for the protection and suppression of transient phenomena (SPD, isolation transformer, etc...). Such devices must to be coordinated with the other protections of the installation; on this theme, it's necessary to refer to the electrical installations norms which are in force in each country.

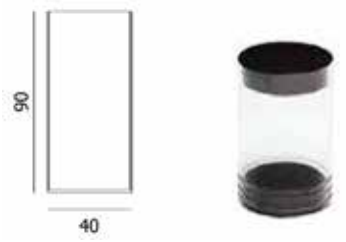
GAMMA RGB

DATA-SHEET

RECESSING BOXES:

CSF.0012.0

standard recessing box



Product code	Code	Release date	Product	Power	Supply	CCT	Optics	lux (lm) *tj=25 **	Fixture Flux (lm)
GAM.02.H27A1.0	GAM.02.H27XX.0	11/6	Gamma	2W	24V	2700 K	Honeycomb	153,75**	105,27
GAM.02.H27S1.0	GAM.02.H27XX.0	11/6	Gamma	2W	24V	2700 K	Honeycomb	153,75**	105,27
GAM.02.H30A1.0	GAM.02.H30XX.0	11/6	Gamma	2W	24V	3000 K	Honeycomb	161,25**	107,97
GAM.02.H30S1.0	GAM.02.H30XX.0	11/6	Gamma	2W	24V	3000 K	Honeycomb	161,25**	107,97
GAM.02.H40A1.0	GAM.02.H40XX.0	11/6	Gamma	2W	24V	4000 K	Honeycomb	176,25**	112,07
GAM.02.H40S1.0	GAM.02.H40XX.0	11/6	Gamma	2W	24V	4000 K	Honeycomb	176,25**	112,07
GAM.01.F27A1.0	GAM.01.F27XX.0 350mA	11/6	Gamma	1W	350 mA	2700 K	Lens 24°	114,80**	94,80
GAM.01.F27S1.0	GAM.01.F27XX.0 350mA	11/6	Gamma	1W	350 mA	2700 K	Lens 24°	114,80**	94,80
GAM.01.F27A1.0	GAM.01.F27XX.0 500mA	11/6	Gamma	1,5W	500 mA	2700 K	Lens 24°	153,75**	130,29
GAM.01.F27S1.0	GAM.01.F27XX.0 500mA	11/6	Gamma	1,5W	500 mA	2700 K	Lens 24°	153,75**	130,29
GAM.01.F30A1.0	GAM.01.F30XX.0 350mA	11/6	Gamma	1W	350 mA	3000 K	Lens 24°	120,40**	97,24
GAM.01.F30S1.0	GAM.01.F30XX.0 350mA	11/6	Gamma	1W	350 mA	3000 K	Lens 24°	120,40**	97,24
GAM.01.F30A1.0	GAM.01.F30XX.0 500mA	11/6	Gamma	1,5W	500 mA	3000 K	Lens 24°	161,25**	133,64
GAM.01.F30S1.0	GAM.01.F30XX.0 500mA	11/6	Gamma	1,5W	500 mA	3000 K	Lens 24°	161,25**	133,64
GAM.01.F40A1.0	GAM.01.F40XX.0 350mA	11/6	Gamma	1W	350 mA	4000 K	Lens 24°	131,60**	100,93
GAM.01.F40S1.0	GAM.01.F40XX.0 350mA	11/6	Gamma	1W	350 mA	4000 K	Lens 24°	131,60**	100,93
GAM.01.F40A1.0	GAM.01.F40XX.0 500mA	11/6	Gamma	1,5W	500 mA	4000 K	Lens 24°	176,25**	138,71
GAM.01.F40S1.0	GAM.01.F40XX.0 500mA	11/6	Gamma	1,5W	500 mA	4000 K	Lens 24°	176,25**	138,71
GAM.02.F27A1.0	GAM.02.F27XX.0	11/6	Gamma	2W	24V	2700 K	Lens 24°	153,75**	130,29
GAM.02.F27S1.0	GAM.02.F27XX.0	11/6	Gamma	2W	24V	2700 K	Lens 24°	153,75**	130,29
GAM.02.F30A1.0	GAM.02.F30XX.0	11/6	Gamma	2W	24V	3000 K	Lens 24°	161,25**	133,64
GAM.02.F30S1.0	GAM.02.F30XX.0	11/6	Gamma	2W	24V	3000 K	Lens 24°	161,25**	133,64
GAM.02.F40A1.0	GAM.02.F40XX.0	11/6	Gamma	2W	24V	4000 K	Lens 24°	176,25**	138,71
GAM.02.F40S1.0	GAM.02.F40XX.0	11/6	Gamma	2W	24V	4000 K	Lens 24°	176,25**	138,71
GAM.03.F27A1.0	GAM.03.F27XX.0	11/6	Gamma	4W	350 mA	2700 K	Lens 24°	475,00**	304,84
GAM.03.F30A1.0	GAM.03.F30XX.0	11/6	Gamma	4W	350 mA	3000 K	Lens 24°	510,00**	352,95
GAM.03.F40A1.0	GAM.03.F40XX.0	11/6	Gamma	4W	350 mA	4000 K	Lens 24°	550,00**	380,62
GAM.04.F27A1.0	GAM.04.F27XX.0	11/6	Gamma	4,5W	24V	2700 K	Lens 24°	475,00**	304,84
GAM.04.F30A1.0	GAM.04.F30XX.0	11/6	Gamma	4,5W	24V	3000 K	Lens 24°	510,00**	352,95
GAM.04.F40A1.0	GAM.04.F40XX.0	11/6	Gamma	4,5W	24V	4000 K	Lens 24°	550,00**	380,62
GAM.01.W27A1.0	GAM.01.W27XX.0 350mA	11/6	Gamma	1W	350 mA	2700 K	Lens 43°	114,80**	95,72
GAM.01.W27S1.0	GAM.01.W27XX.0 350mA	11/6	Gamma	1W	350 mA	2700 K	Lens 43°	114,80**	95,72
GAM.01.W27A1.0	GAM.01.W27XX.0 500mA	11/6	Gamma	1,5W	500 mA	2700 K	Lens 43°	153,75**	131,56
GAM.01.W27S1.0	GAM.01.W27XX.0 500mA	11/6	Gamma	1,5W	500 mA	2700 K	Lens 43°	153,75**	131,56
GAM.01.W30A1.0	GAM.01.W30XX.0 350mA	11/6	Gamma	1W	350 mA	3000 K	Lens 43°	120,40**	98,19
GAM.01.W30S1.0	GAM.01.W30XX.0 350mA	11/6	Gamma	1W	350 mA	3000 K	Lens 43°	120,40**	98,19
GAM.01.W30A1.0	GAM.01.W30XX.0 500mA	11/6	Gamma	1,5W	500 mA	3000 K	Lens 43°	161,25**	134,95
GAM.01.W30S1.0	GAM.01.W30XX.0 500mA	11/6	Gamma	1,5W	500 mA	3000 K	Lens 43°	161,25**	134,95
GAM.01.W40A1.0	GAM.01.W40XX.0 350mA	11/6	Gamma	1W	350 mA	4000 K	Lens 43°	131,60**	101,91
GAM.01.W40S1.0	GAM.01.W40XX.0 350mA	11/6	Gamma	1W	350 mA	4000 K	Lens 43°	131,60**	101,91
GAM.01.W40A1.0	GAM.01.W40XX.0 500mA	11/6	Gamma	1,5W	500 mA	4000 K	Lens 43°	176,25**	140,07
GAM.01.W40S1.0	GAM.01.W40XX.0 500mA	11/6	Gamma	1,5W	500 mA	4000 K	Lens 43°	176,25**	140,07
GAM.02.W27A1.0	GAM.02.W27XX.0	11/6	Gamma	2W	24V	2700 K	Lens 43°	153,75**	131,56
GAM.02.W27S1.0	GAM.02.W27XX.0	11/6	Gamma	2W	24V	2700 K	Lens 43°	153,75**	131,56
GAM.02.W30A1.0	GAM.02.W30XX.0	11/6	Gamma	2W	24V	3000 K	Lens 43°	161,25**	134,95
GAM.02.W30S1.0	GAM.02.W30XX.0	11/6	Gamma	2W	24V	3000 K	Lens 43°	161,25**	134,95
GAM.02.W40A1.0	GAM.02.W40XX.0	11/6	Gamma	2W	24V	4000 K	Lens 43°	176,25**	140,07
GAM.02.W40S1.0	GAM.02.W40XX.0	11/6	Gamma	2W	24V	4000 K	Lens 43°	176,25**	140,07
GAM.02.W90A1.0	GAM.02.W90XX.0	11/6	Gamma	4W	24V	RGB	Lens 45°	105,00*	53,19
GAM.02.W90S1.0	GAM.02.W90XX.0	11/6	Gamma	4W	24V	RGB	Lens 45°	105,00*	53,19
GAM.02.W90A1.0	GAM.02.W90XX.0 R	11/6	Gamma	1W	24V	RGB (Rosso)	Lens 45°	35,00*	19,04
GAM.02.W90S1.0	GAM.02.W90XX.0 R	11/6	Gamma	1W	24V	RGB (Rosso)	Lens 45°	35,00*	19,04
GAM.02.W90A1.0	GAM.02.W90XX.0 G	11/6	Gamma	1W	24V	RGB (Verde)	Lens 45°	57,00*	39,08
GAM.02.W90S1.0	GAM.02.W90XX.0 G	11/6	Gamma	1W	24V	RGB (Verde)	Lens 45°	57,00*	39,08
GAM.02.W90A1.0	GAM.02.W90XX.0 B	11/6	Gamma	1W	24V	RGB (Blu)	Lens 45°	13,00*	7,17
GAM.02.W90S1.0	GAM.02.W90XX.0 B	11/6	Gamma	1W	24V	RGB (Blu)	Lens 45°	13,00*	7,17
GAM.03.W27A1.0	GAM.03.W27XX.0	11/6	Gamma	4W	350 mA	2700 K	Lens 48°	475,00**	327,05
GAM.03.W30A1.0	GAM.03.W30XX.0	11/6	Gamma	4W	350 mA	3000 K	Lens 48°	510,00**	378,66
GAM.03.W40A1.0	GAM.03.W40XX.0	11/6	Gamma	4W	350 mA	4000 K	Lens 48°	550,00**	408,35
GAM.04.W27A1.0	GAM.04.W27XX.0	11/6	Gamma	4,5W	24V	2700 K	Lens 48°	475,00**	327,05
GAM.04.W30A1.0	GAM.04.W30XX.0	11/6	Gamma	4,5W	24V	3000 K	Lens 48°	510,00**	378,66
GAM.04.W40A1.0	GAM.04.W40XX.0	11/6	Gamma	4,5W	24V	4000 K	Lens 48°	550,00**	408,35
GAM.01.M27A1.0	GAM.01.M27XX.0 350mA	11/6	Gamma	1W	350 mA	2700 K	Lens 9°	114,80**	99,09
GAM.01.M27S1.0	GAM.01.M27XX.0 350mA	11/6	Gamma	1W	350 mA	2700 K	Lens 9°	114,80**	99,09
GAM.01.M27A1.0	GAM.01.M27XX.0 500mA	11/6	Gamma	1,5W	500 mA	2700 K	Lens 9°	153,75**	136,19
GAM.01.M27S1.0	GAM.01.M27XX.0 500mA	11/6	Gamma	1,5W	500 mA	2700 K	Lens 9°	153,75**	136,19
GAM.01.M30A1.0	GAM.01.M30XX.0 350mA	11/6	Gamma	1W	350 mA	3000 K	Lens 9°	120,40**	101,64
GAM.01.M30S1.0	GAM.01.M30XX.0 350mA	11/6	Gamma	1W	350 mA	3000 K	Lens 9°	120,40**	101,64
GAM.01.M30A1.0	GAM.01.M30XX.0 500mA	11/6	Gamma	1,5W	500 mA	3000 K	Lens 9°	161,25**	139,69
GAM.01.M30S1.0	GAM.01.M30XX.0 500mA	11/6	Gamma	1,5W	500 mA	3000 K	Lens 9°	161,25**	139,69
GAM.01.M40A1.0	GAM.01.M40XX.0 350mA	11/6	Gamma	1W	350 mA	4000 K	Lens 9°	131,60**	105,49
GAM.01.M40S1.0	GAM.01.M40XX.0 350mA	11/6	Gamma	1W	350 mA	4000 K	Lens 9°	131,60**	105,49
GAM.01.M40A1.0	GAM.01.M40XX.0 500mA	11/6	Gamma	1,5W	500 mA	4000 K	Lens 9°	176,25**	144,99
GAM.01.M40S1.0	GAM.01.M40XX.0 500mA	11/6	Gamma	1,5W	500 mA	4000 K	Lens 9°	176,25**	144,99
GAM.02.M27A1.0	GAM.02.M27XX.0	11/6	Gamma	2W	24V	2700 K	Lens 9°	153,75**	136,19
GAM.02.M27S1.0	GAM.02.M27XX.0	11/6	Gamma	2W	24V	2700 K	Lens 9°	153,75**	136,19
GAM.02.M30A1.0	GAM.02.M30XX.0	11/6	Gamma	2W	24V	3000 K	Lens 9°	161,25**	139,69
GAM.02.M30S1.0	GAM.02.M30XX.0	11/6	Gamma	2W	24V	3000 K	Lens 9°	161,25**	139,69
GAM.02.M40A1.0	GAM.02.M40XX.0	11/6	Gamma	2W	24V	4000 K	Lens 9°	176,25**	144,99
GAM.02.M40S1.0	GAM.02.M40XX.0	11/6	Gamma	2W	24V	4000 K	Lens 9°	176,25**	144,99
GAM.01.S27A1.0	GAM.01.S27XX.0 350mA	11/6	Gamma	1W	350 mA	2700 K	Satin Glass	114,80**	72,20
GAM.01.S27S1.0	GAM.01.S27XX.0 350mA	11/6	Gamma	1W	350 mA	2700 K	Satin Glass	114,80**	72,20
GAM.01.S27A1.0	GAM.01.S27XX.0 500mA	11/6	Gamma	1,5W	500 mA	2700 K	Satin Glass	153,75**	99,23

Product code	Code	Release date	Product	Power	Supply	CCT	Optics	lux (lm) *tj=25 **tj	Fixture Flux (lm)
GAM.01.S27S1.0	GAM.01.S27XX.0 500mA	11/6	Gamma	1,5W	500 mA	2700 K	Satin Glass	153,75**	99,23
GAM.01.S30A1.0	GAM.01.S30XX.0 350mA	11/6	Gamma	1W	350 mA	3000 K	Satin Glass	120,40**	74,09
GAM.01.S30S1.0	GAM.01.S30XX.0 350mA	11/6	Gamma	1W	350 mA	3000 K	Satin Glass	120,40**	74,09
GAM.01.S30A1.0	GAM.01.S30XX.0 500mA	11/6	Gamma	1,5W	500 mA	3000 K	Satin Glass	161,25**	101,83
GAM.01.S30S1.0	GAM.01.S30XX.0 500mA	11/6	Gamma	1,5W	500 mA	3000 K	Satin Glass	161,25**	101,83
GAM.01.S40A1.0	GAM.01.S40XX.0 350mA	11/6	Gamma	1W	350 mA	4000 K	Satin Glass	131,60**	76,95
GAM.01.S40S1.0	GAM.01.S40XX.0 350mA	11/6	Gamma	1W	350 mA	4000 K	Satin Glass	131,60**	76,95
GAM.01.S40A1.0	GAM.01.S40XX.0 500mA	11/6	Gamma	1,5W	500 mA	4000 K	Satin Glass	176,25**	105,76
GAM.01.S40S1.0	GAM.01.S40XX.0 500mA	11/6	Gamma	1,5W	500 mA	4000 K	Satin Glass	176,25**	105,76
GAM.02.S27A1.0	GAM.02.S27XX.0	11/6	Gamma	2W	24V	2700 K	Satin Glass	153,75**	99,23
GAM.02.S27S1.0	GAM.02.S27XX.0	11/6	Gamma	2W	24V	2700 K	Satin Glass	153,75**	99,23
GAM.02.S30A1.0	GAM.02.S30XX.0	11/6	Gamma	2W	24V	3000 K	Satin Glass	161,25**	101,83
GAM.02.S30S1.0	GAM.02.S30XX.0	11/6	Gamma	2W	24V	3000 K	Satin Glass	161,25**	101,83
GAM.02.S40A1.0	GAM.02.S40XX.0	11/6	Gamma	2W	24V	4000 K	Satin Glass	176,25**	105,76
GAM.02.S40S1.0	GAM.02.S40XX.0	11/6	Gamma	2W	24V	4000 K	Satin Glass	176,25**	105,76
GAM.02.S90A1.0	GAM.02.S90XX.0	11/6	Gamma	4W	24V	RGB	Satin glass	105,00*	44,71
GAM.02.S90S1.0	GAM.02.S90XX.0	11/6	Gamma	4W	24V	RGB	Satin glass	105,00*	44,71
GAM.02.S90A1.0	GAM.02.S90XX.0 R	11/6	Gamma	1W	24V	RGB (Rosso)	Satin glass	35,00*	15,34
GAM.02.S90S1.0	GAM.02.S90XX.0 R	11/6	Gamma	1W	24V	RGB (Rosso)	Satin glass	35,00*	15,34
GAM.02.S90A1.0	GAM.02.S90XX.0 G	11/6	Gamma	1W	24V	RGB (Verde)	Satin glass	57,00*	31,49
GAM.02.S90S1.0	GAM.02.S90XX.0 G	11/6	Gamma	1W	24V	RGB (Verde)	Satin glass	57,00*	31,49
GAM.02.S90A1.0	GAM.02.S90XX.0 B	11/6	Gamma	1W	24V	RGB (Blu)	Satin glass	13,00*	5,78
GAM.02.S90S1.0	GAM.02.S90XX.0 B	11/6	Gamma	1W	24V	RGB (Blu)	Satin glass	13,00*	5,78
GAM.03.S27A1.0	GAM.03.S27XX.0	11/6	Gamma	4W	350 mA	2700 K	Satin Glass	475,00**	249,40
GAM.03.S30A1.0	GAM.03.S30XX.0	11/6	Gamma	4W	350 mA	3000 K	Satin Glass	510,00**	288,76
GAM.03.S40A1.0	GAM.03.S40XX.0	11/6	Gamma	4W	350 mA	4000 K	Satin Glass	550,00**	311,40
GAM.04.S27A1.0	GAM.04.S27XX.0	11/6	Gamma	4,5W	24V	2700 K	Satin Glass	475,00**	249,40
GAM.04.S30A1.0	GAM.04.S30XX.0	11/6	Gamma	4,5W	24V	3000 K	Satin Glass	510,00**	288,76
GAM.04.S40A1.0	GAM.04.S40XX.0	11/6	Gamma	4,5W	24V	4000 K	Satin Glass	550,00**	311,40
GAM.01.T27A1.0	GAM.01.T27XX.0 350mA	11/6	Gamma	1W	350 mA	2700 K	Trasparent Glass	114,80**	85,03
GAM.01.T27S1.0	GAM.01.T27XX.0 350mA	11/6	Gamma	1W	350 mA	2700 K	Trasparent Glass	114,80**	85,03
GAM.01.T27A1.0	GAM.01.T27XX.0 500mA	11/6	Gamma	1,5W	500 mA	2700 K	Trasparent Glass	153,75**	116,87
GAM.01.T27S1.0	GAM.01.T27XX.0 500mA	11/6	Gamma	1,5W	500 mA	2700 K	Trasparent Glass	153,75**	116,87
GAM.01.T30A1.0	GAM.01.T30XX.0 350mA	11/6	Gamma	1W	350 mA	3000 K	Trasparent Glass	120,40**	87,26
GAM.01.T30S1.0	GAM.01.T30XX.0 350mA	11/6	Gamma	1W	350 mA	3000 K	Trasparent Glass	120,40**	87,26
GAM.01.T30A1.0	GAM.01.T30XX.0 500mA	11/6	Gamma	1,5W	500 mA	3000 K	Trasparent Glass	161,25**	119,93
GAM.01.T30S1.0	GAM.01.T30XX.0 500mA	11/6	Gamma	1,5W	500 mA	3000 K	Trasparent Glass	161,25**	119,93
GAM.01.T40A1.0	GAM.01.T40XX.0 350mA	11/6	Gamma	1W	350 mA	4000 K	Trasparent Glass	131,60**	90,63
GAM.01.T40S1.0	GAM.01.T40XX.0 350mA	11/6	Gamma	1W	350 mA	4000 K	Trasparent Glass	131,60**	90,63
GAM.01.T40A1.0	GAM.01.T40XX.0 500mA	11/6	Gamma	1,5W	500 mA	4000 K	Trasparent Glass	176,25**	124,56
GAM.01.T40S1.0	GAM.01.T40XX.0 500mA	11/6	Gamma	1,5W	500 mA	4000 K	Trasparent Glass	176,25**	124,56
GAM.02.T27A1.0	GAM.02.T27XX.0	11/6	Gamma	2W	24V	2700 K	Trasparent Glass	153,75**	116,87
GAM.02.T27S1.0	GAM.02.T27XX.0	11/6	Gamma	2W	24V	2700 K	Trasparent Glass	153,75**	116,87
GAM.02.T30A1.0	GAM.02.T30XX.0	11/6	Gamma	2W	24V	3000 K	Trasparent Glass	161,25**	119,93
GAM.02.T30S1.0	GAM.02.T30XX.0	11/6	Gamma	2W	24V	3000 K	Trasparent Glass	161,25**	119,93
GAM.02.T40A1.0	GAM.02.T40XX.0	11/6	Gamma	2W	24V	4000 K	Trasparent Glass	176,25**	124,56
GAM.02.T40S1.0	GAM.02.T40XX.0	11/6	Gamma	2W	24V	4000 K	Trasparent Glass	176,25**	124,56
GAM.02.T90A1.0	GAM.02.T90XX.0	11/6	Gamma	4W	24V	RGB	Trasparent Glass	105,00*	53,48
GAM.02.T90S1.0	GAM.02.T90XX.0	11/6	Gamma	4W	24V	RGB	Trasparent Glass	105,00*	53,48
GAM.02.T90A1.0	GAM.02.T90XX.0 R	11/6	Gamma	1W	24V	RGB (Rosso)	Trasparent Glass	35,00*	19,58
GAM.02.T90S1.0	GAM.02.T90XX.0 R	11/6	Gamma	1W	24V	RGB (Rosso)	Trasparent Glass	35,00*	19,58
GAM.02.T90A1.0	GAM.02.T90XX.0 G	11/6	Gamma	1W	24V	RGB (Verde)	Trasparent Glass	57,00*	40,19
GAM.02.T90S1.0	GAM.02.T90XX.0 G	11/6	Gamma	1W	24V	RGB (Verde)	Trasparent Glass	57,00*	40,19
GAM.02.T90A1.0	GAM.02.T90XX.0 B	11/6	Gamma	1W	24V	RGB (Blu)	Trasparent Glass	13,00*	7,37
GAM.02.T90S1.0	GAM.02.T90XX.0 B	11/6	Gamma	1W	24V	RGB (Blu)	Trasparent Glass	13,00*	7,37