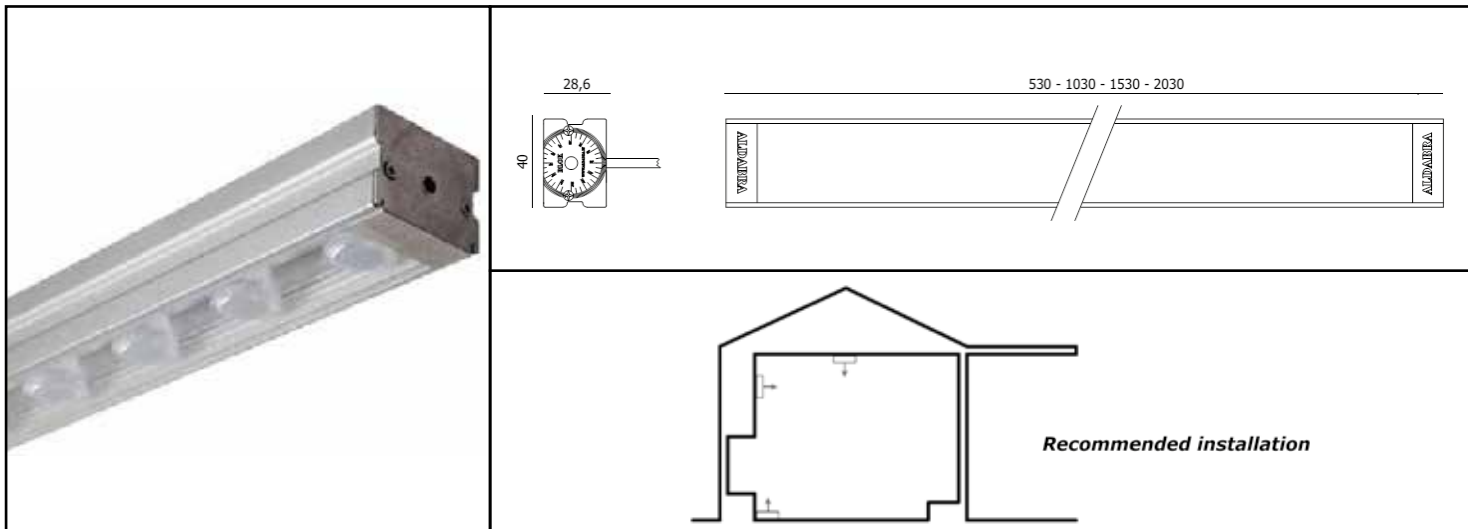


BLOK Monochromatic

DATA-SHEET



PRODUCT DESCRIPTION:

Professional linear system for indoor direct and indirect lighting applications.
Body finished grey anodized aluminum with screen in transparent PMMA.

TECHNICALS FEATURES:

Materials	Aluminium extrusion alloy UNI 6060 ; Transparent PMMA
Finishes	Natural Anodized Aluminium
Screws	Stainless steel
End caps	Stainless steel
Gaskets	Silicone rubber
Power Supply	24 Vdc constant voltage ($\pm 5\%$)
Light Source	Power LED
Pitch	50 mm ; 100 mm
Color Temperature	2700K ; 3000K ; 4000K
Ra	> 80
Chromatic Selection	Mac-Adam 2-step
Lifetime	> 50000 h (TM21)
Optics	9° ; 24° ; 43° ; elliptical 40°x13° ; transparent screen
Tc metal body	<90 °C
Ta operating temperature	0 ÷ 40 °C
Functions	On/Off ; dimmable
Cable	Cable E111036 Type CL2P-E130356 Type CMP-CMX 2xAWG20(0.05mm ²)(Yellow-Grey) + 1xAWG22(0.3mm ²) (Violet) UL FEP/FEP Ø est. 3,7 mm L. 1m
Weigth	950 g/m
Installations	Surface mounted (wall, floor, ceiling) with stainless steel clips or adjustable brackets
Norms	60598-1 ; 60598-2 and its parts



NOTE:
Power supplies, control interfaces and dimming to be orderd separately. Aldabra driver consumption is equal to 15% of the fixture nominal power.
Photometric data available at www.aldabra.it

BLOK Monochromatic DATA-SHEET

GENERAL FEATURES:

	power (W)	length (mm)	pitch (mm)
BLO.01 .XXXXX.X	6	530	100
BLO.02 .XXXXX.X	12	1030	100
BLO.03 .XXXXX.X	17	1530	100
BLO.04 .XXXXX.X	23	2030	100
BLO.05 .XXXXX.X	12	530	100
BLO.06 .XXXXX.X	24	1030	100
BLO.07 .XXXXX.X	35	1530	100
BLO.08 .XXXXX.X	47	2030	100
BLO.09 .XXXXX.X	12	530	50
BLO.10 .XXXXX.X	24	1030	50
BLO.11 .XXXXX.X	35	1530	50
BLO.12 .XXXXX.X	47	2030	50
BLO.13 .XXXXX.X	25	530	50
BLO.14 .XXXXX.X	49	1030	50
BLO.15 .XXXXX.X	73	1530	50
BLO.16 .XXXXX.X	98	2030	50

OPTICAL FEATURES:

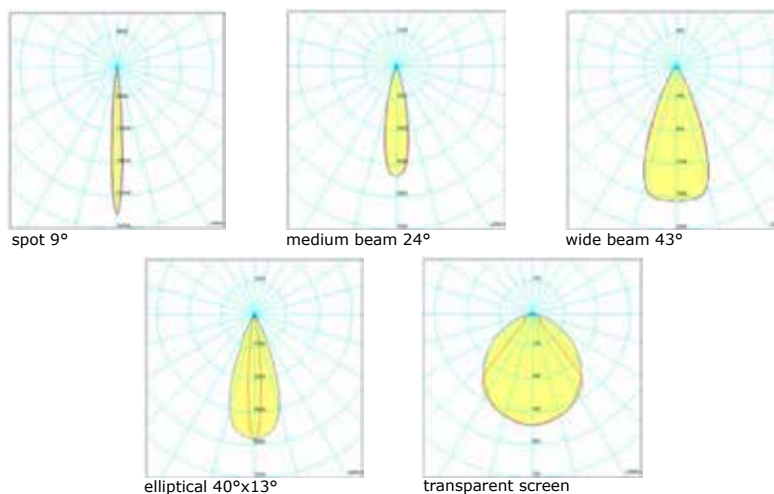
BLO.XX. N XXXXX.X	Spot 9°
BLO.XX. F XXXXX.X	Medium beam 24°
BLO.XX. W XXXXX.X	Wide beam 43°
BLO.XX. E XXXXX.X	Elliptical 40°x13°
BLO.XX. T XXXXX.X	Transparent screen

LED FEATURES:

	Power LED	lm/W	Ra	Chromatic selection
BLO.XX.X 27 XX.X	2700K warm white	105	>80	MacAdam 2-step
BLO.XX.X 30 XX.X	3000K warm white	118	>80	MacAdam 2-step
BLO.XX.X 40 XX.X	4000K neutral white	130	>80	MacAdam 2-step

FINISHES FEATURES:

BLO.XX.XXX**A1**.X Anodized Aluminium



GENERAL INFORMATIONS:

Kindly note that atmospheric agents (such as lightnings, etc) , electrostatics charges or disturbances on the installation not caused by Aldabra lighting fixtures and Led drivers indicated by Aldabra itself, may cause damages on the fixtures. It is necessary that the electrical installation where the LED lighting fittings and their power supply units and control gears are installed must be equipped with proper devices for the protection and suppression of transient phenomena (SPD, isolation transformer, etc...). Such devices must be coordinated with the other protections of the installation; on this theme, it's necessary to refer to the electrical installations norms which are in force in each country.

ALDABRA

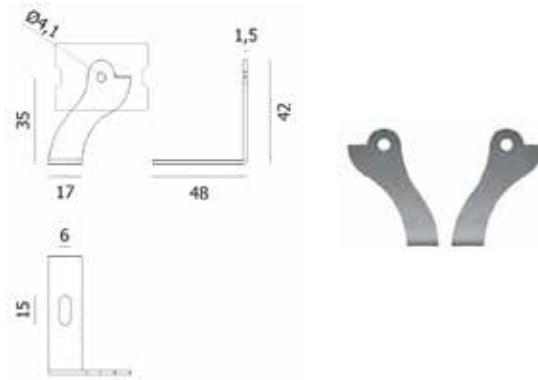
PROFESSIONAL INTERIOR LIGHTING

BLOK Monochromatic

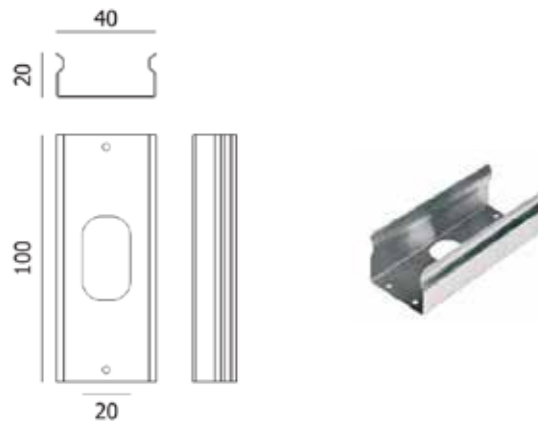
DATA-SHEET

ACCESSORIES:

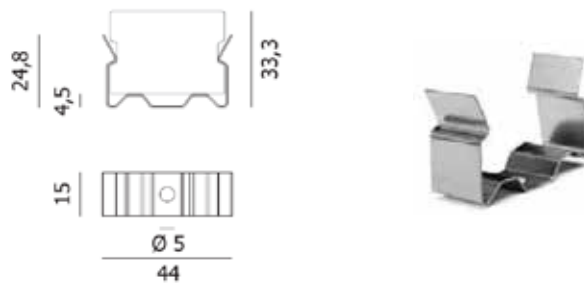
ACC.0142.0
Adjustable bracket



ACC.0141.0
Blok connector kit

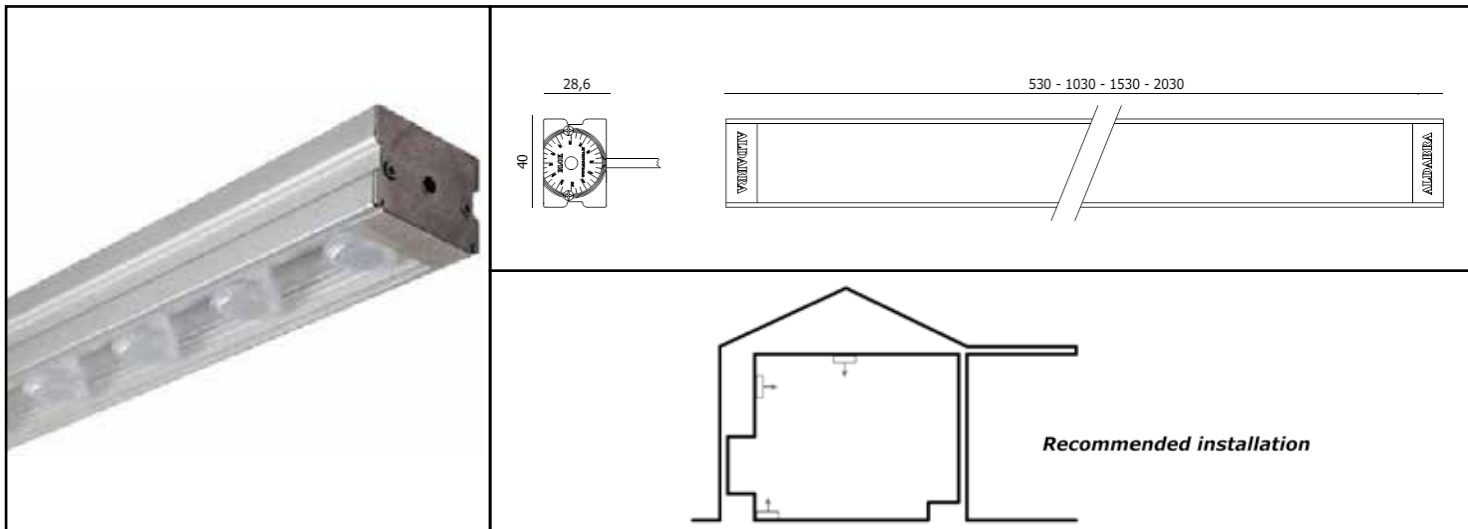


ACC.0143.0
Fixing spring with external hook



BLOK DWS

DATA-SHEET



PRODUCT DESCRIPTION:

Professional linear system for indoor direct and indirect lighting applications.
Body finished grey anodized aluminum with screen in transparent PMMA.

TECHNICALS FEATURES:

Materials	Aluminium extrusion alloy UNI 6060 ; Transparent PMMA
Finishes	Natural Anodized Aluminium
Screws	Stainless steel
End caps	Stainless steel
Gaskets	Silicone rubber
Power Supply	24 Vdc constant voltage ($\pm 5\%$)
Power	29 W/m (pitch 100)
Light Source	Power LED
Pitch	100 mm
Color Temperature	2700K ÷ 5000K
Ra	> 80
Chromatic Selection	Mac-Adam 2-step
Lifetime	> 50000 h (TM21)
Optics	25° ; 35° ; transparent screen
Tc metal body	<90 °C
Ta operating temperature	0 ÷ 40 °C
Functions	On/Off ; dimmable
Cable	AWM style 20233 2xAWG18(0,75mm ²) (Red;Black)+3xAWG20(0,5mm ²) (R/b, G/b, B/b) L. 1 m.
Weigth	950 g/m
Installations	Surface mounted (wall, floor, ceiling) with stainless steel clips or adjustable brackets
Norms	60598-1 ; 60598-2 and its parts



NOTE:
Power supplies, control interfaces and dimming to be orderd separately. Aldabra driver consumption is equal to 15% of the fixture nominal power.
Photometric data available at www.aldabra.it

BLOK DWS DATA-SHEET

GENERAL FEATURES:

	power (W)	length (mm)	pitch (mm)
BLO.01 .XXXXX.X	15	530	100
BLO.02 .XXXXX.X	29	1030	100
BLO.03 .XXXXX.X	44	1530	100
BLO.04 .XXXXX.X	58	2030	100

OPTICAL FEATURES:

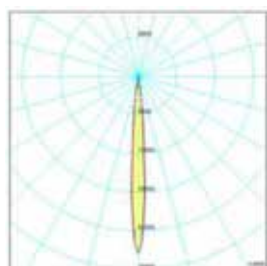
BLO.XX. F XXXX.X	Medium beam 25°
BLO.XX. W XXXX.X	Wide beam 35°
BLO.XX. T XXXX.X	Transparent screen

LED FEATURES:

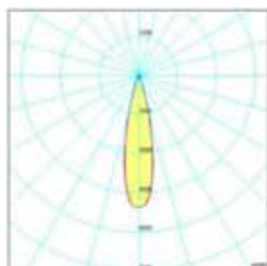
	Power LED	lm/W	Ra	Chromatic selection
BLO.XX.X 98 XX.X	2700K ÷ 5000K	105	>80	MacAdam 2-step

FINISHES FEATURES:

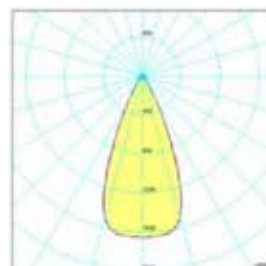
BLO.XX.XXX A1 .X	Anodized Aluminum
-------------------------	-------------------



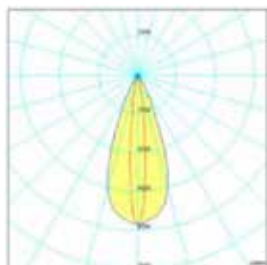
spot 9°



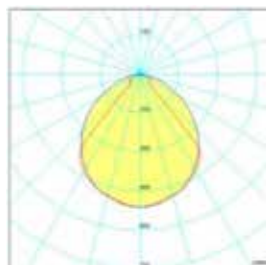
medium beam 24°



wide beam 43°



elliptical 40°x13°



transparent screen

GENERAL INFORMATIONS:

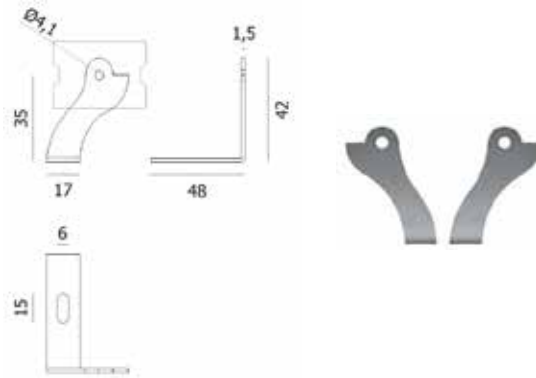
Kindly note that atmospheric agents (such as lightnings, etc) , electrostatics charges or disturbances on the installation not caused by Aldabra lighting fixtures and Led drivers indicated by Aldabra itself, may cause damages on the fixtures. It is necessary that the electrical installation where the LED lighting fittings and their power supply units and control gears are installed must be equipped with proper devices for the protection and suppression of transient phenomena (SPD, isolation transformer, etc...). Such devices must to be coordinated with the other protections of the installation; on this theme, it's necessary to refer to the electrical installations norms which are in force in each country.

BLOK DWS

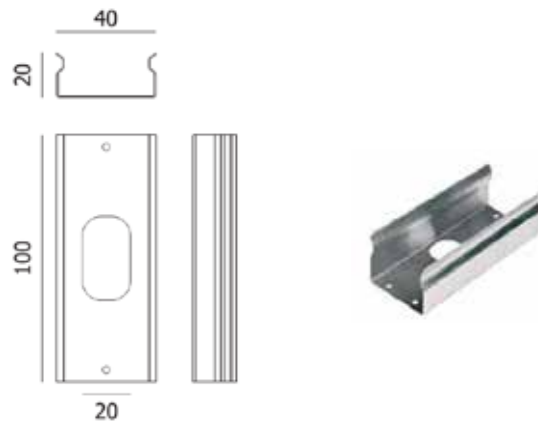
DATA-SHEET

ACCESSORIES:

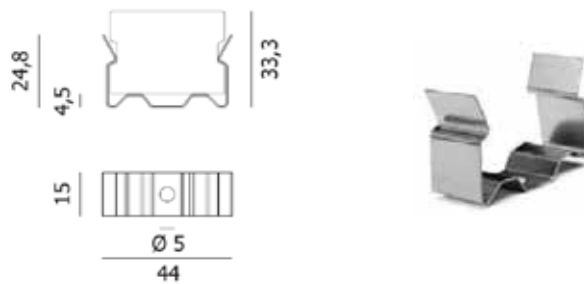
ACC.0142.0
Adjustable bracket



ACC.0141.0
Blok connector kit

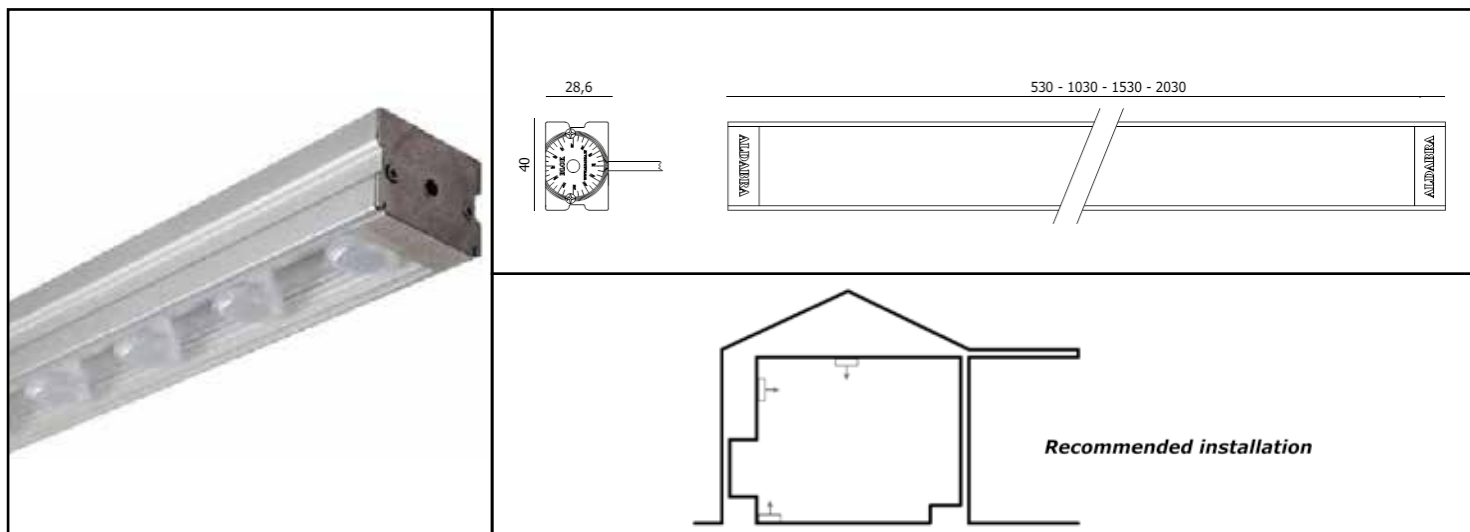


ACC.0143.0
Fixing spring with external hook



BLOK RGB

DATA-SHEET



PRODUCT DESCRIPTION:

Professional linear system for indoor direct and indirect lighting applications.
Body finished grey anodized aluminum with screen in transparent PMMA.

TECHNICALS FEATURES:

Materials	Aluminium extrusion alloy UNI 6060 ; Transparent PMMA
Finishes	Natural Anodized Aluminium
Screws	Stainless steel
End caps	Stainless steel
Gaskets	Silicone rubber
Power Supply	24 Vdc constant voltage ($\pm 5\%$)
Power	29 W/m (pitch 100)
Light Source	Power LED
Pitch	100 mm
Dominant Wavelength	R=622nm, G=530nm, B=470nm
Lifetime	> 50000 h (L80B20)
Optics	45° ; transparent screen
Tc metal body	<90 °C
Ta operating temperature	0 ÷ 40 °C
Functions	On/Off ; dimmable
Cable	AWM style 20233 2xAWG18(0,75mm ²) (Red;Black)+3xAWG20(0,5mm ²) (R/b, G/b, B/b) L. 1 m.
Weigth	950 g/m
Installations	Surface mounted (wall, floor, ceiling) with stainless steel clips or adjustable brackets
Norms	60598-1 ; 60598-2 and its parts



NOTE:
Power supplies, control interfaces and dimming to be orderd separately. Aldabra driver consumption is equal to 15% of the fixture nominal power.
Photometric data available at www.aldabra.it

BLOK RGB DATA-SHEET

GENERAL FEATURES:

	power (W)	length (mm)	pitch (mm)
BLO.01. XXXXX.X	15	530	100
BLO.02. XXXXX.X	29	1030	100
BLO.03. XXXXX.X	44	1530	100
BLO.04. XXXXX.X	58	2030	100

OPTICAL FEATURES:

BLO.XX. M XXXX.X	Narrow beam 15°
BLO.XX. W XXXX.X	Medium beam 23°
BLO.XX. W XXXX.X	Wide beam 38°
BLO.XX. T XXXX.X	Transparent screen 77°

LED FEATURES:

	Power LED
BLO.XX.X 90 XX.X	R, G, B

FINISHES FEATURES:

BLO.XX.XXX A1 .X	Anodized Aluminum
-------------------------	-------------------

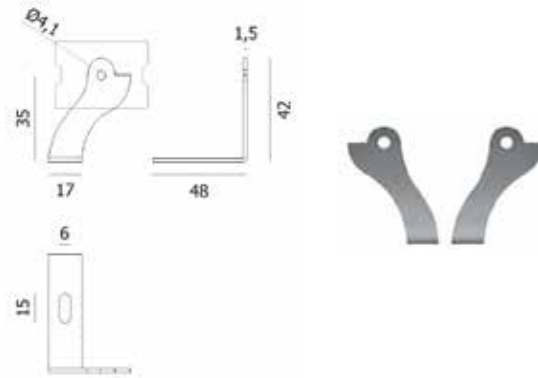
GENERAL INFORMATIONS:

Kindly note that atmospheric agents (such as lightnings, etc) , electrostatics charges or disturbances on the installation not caused by Aldabra lighting fixtures and Led drivers indicated by Aldabra itself, may cause damages on the fixtures. It is necessary that the electrical installation where the LED lighting fittings and their power supply units and control gears are installed must be equipped with proper devices for the protection and suppression of transient phenomena (SPD, isolation transformer, etc...). Such devices must be coordinated with the other protections of the installation; on this theme, it's necessary to refer to the electrical installations norms which are in force in each country.

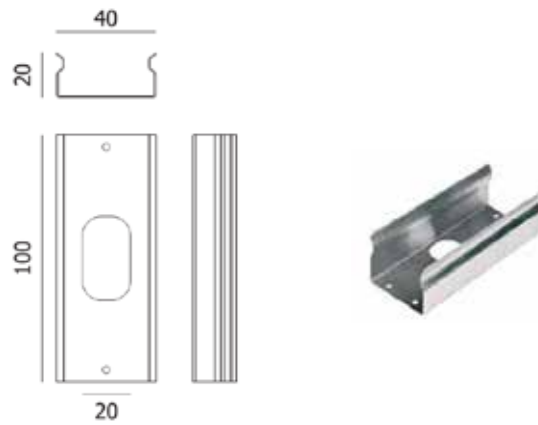
BLOK RGB DATA-SHEET

ACCESSORIES:

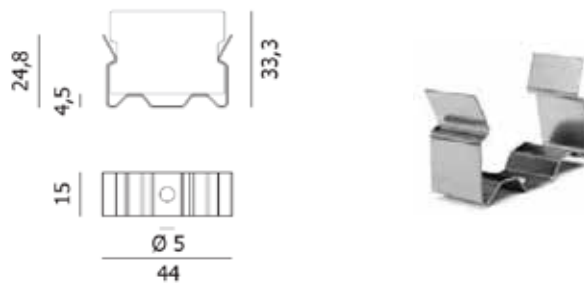
ACC.0142.0
Adjustable bracket



ACC.0141.0
Blok connector kit

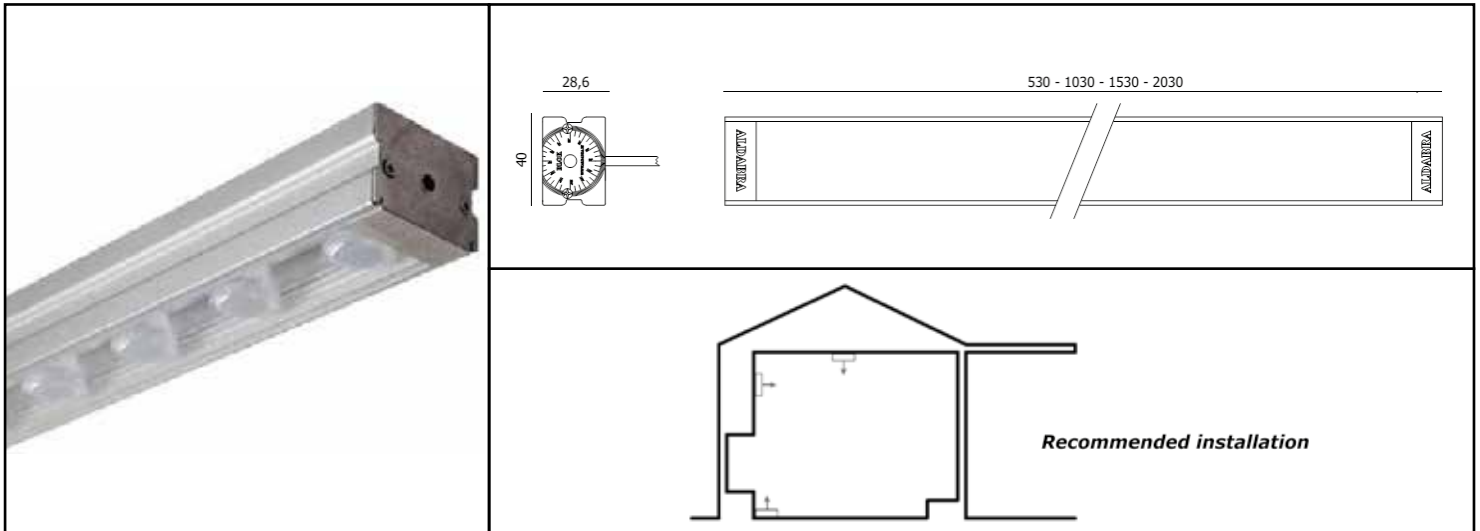


ACC.0143.0
Fixing spring with external hook



BLOK RGB move

DATA-SHEET



PRODUCT DESCRIPTION:

Professional linear system for indoor direct and indirect lighting applications.
Body finished grey anodized aluminum with screen in transparent PMMA.

TECHNICALS FEATURES:

Materials	Aluminium extrusion alloy UNI 6060 ; Transparent PMMA
Finishes	Natural Anodized Aluminium
Screws	Stainless steel
End caps	Stainless steel
Gaskets	Silicone rubber
Power Supply	24 Vdc constant voltage ($\pm 5\%$)
Power	80 W/m (pitch 50)
Light Source	Power LED
Pitch	50 mm
Dominant Wavelength	R=622nm, G=530nm, B=470nm
Lifetime	> 50000 h (L80B20)
Optics	45° ; transparent screen
Tc metal body	<90 °C
Ta operating temperature	0 ÷ 40 °C
Functions	On/Off ; dimmable
Cable	In: AWM style 20233 2xAWG18(0,75mm ²) (Red;Black)+2xAWG20(0,5mm ²) (R/b, B/b) L. 1 m. Out: AWM style 20233 2xAWG18(0,75mm ²) (Red;Black) L. 1 m.
Weigth	950 g/m
Installations	Surface mounted (wall, floor, ceiling) with stainless steel clips or adjustable brackets
Norms	60598-1 ; 60598-2 and its parts



NOTE:
Power supplies, control interfaces and dimming to be orderd separately. Aldabra driver consumption is equal to 15% of the fixture nominal power.
Photometric data available at www.aldabra.it

BLOK RGB move DATA-SHEET

GENERAL FEATURES:

	power (W)	length (mm)	pitch (mm)
BLO.01. XXXXX.X	40	530	50
BLO.02. XXXXX.X	80	1030	50
BLO.03. XXXXX.X	120	1530	50

OPTICAL FEATURES:

BLO.XX. W XXXX.X	Wide beam 45°
BLO.XX. T XXXX.X	Transparent screen

LED FEATURES:

	Power LED
BLO.XX.X 92 XX.X	R, G, B

FINISHES FEATURES:

BLO.XX.XXX A1 .X	Anodized Aluminum
-------------------------	-------------------

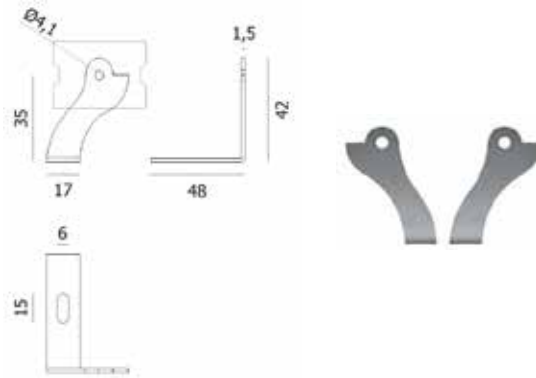
GENERAL INFORMATIONS:

Kindly note that atmospheric agents (such as lightnings, etc) , electrostatics charges or disturbances on the installation not caused by Aldabra lighting fixtures and Led drivers indicated by Aldabra itself, may cause damages on the fixtures. It is necessary that the electrical installation where the LED lighting fittings and their power supply units and control gears are installed must be equipped with proper devices for the protection and suppression of transient phenomena (SPD, isolation transformer, etc...). Such devices must be coordinated with the other protections of the installation; on this theme, it's necessary to refer to the electrical installations norms which are in force in each country.

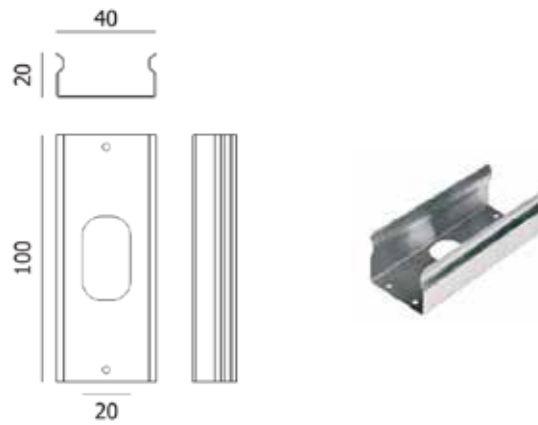
BLOK RGB move DATA-SHEET

ACCESSORIES:

ACC.0142.0
Adjustable bracket



ACC.0141.0
Blok connector kit



ACC.0143.0
Fixing spring with external hook

