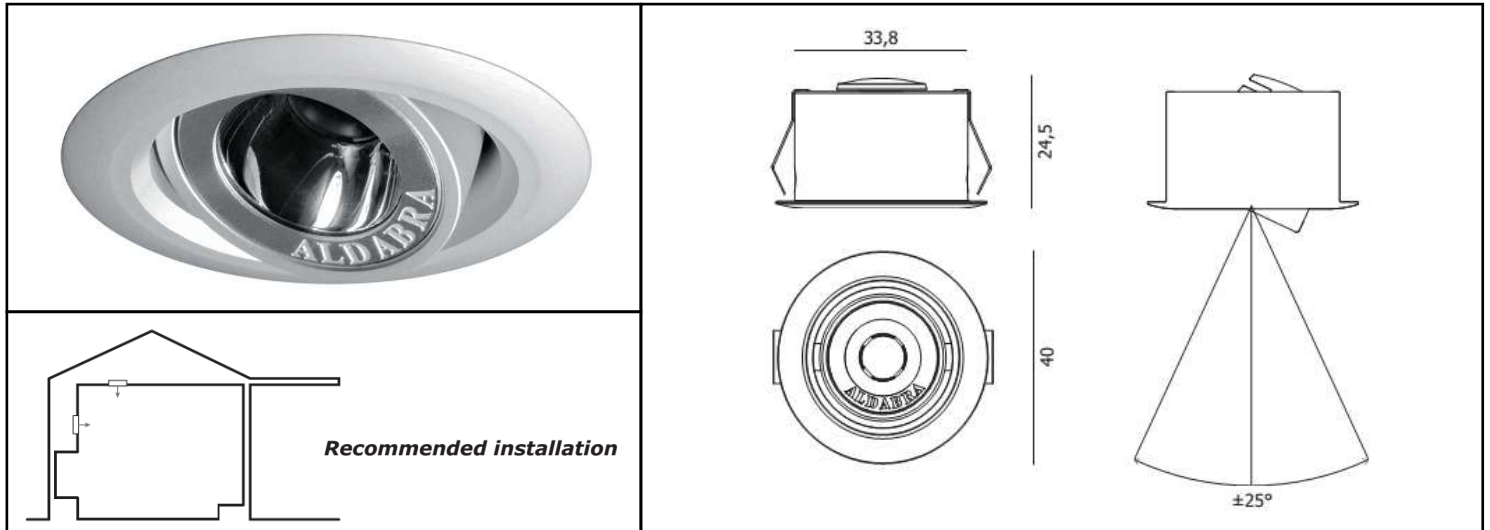


ADHARA Monochromatic DATA-SHEET



PRODUCT DESCRIPTION:

Recessed professional adjustable spotlight suitable for indoor applications.
Body Anticorodal aluminium alloy EN AW-6060, front polish stainless steel.
UV resistance of all materials.

TECHNICALS FEATURES:

Materials	Anticorodal aluminium alloy EN AW-6060 ; Stainless steel inox AISI 316L
Front Finishes	Polished stainless steel
Power Supply	350/500 mA constant current
Power	1 W @350 mA - 1,5 W @500 mA
Light Source	Power LED
Color Temperature	2700K ; 3000K ; 4000K
Ra	> 80
Chromatic Selection	Mac-Adam 2-step
Lifetime	> 50000 h (TM21)
Optics	Specular hybrid optics 13° ; 35°
Tc metal body	< 90 °C
Ta operating temperature	0 ÷ 40 °C
Ts surface temperature	≤ 65 °C
Functions	On/Off ; dimmable
Cable	UL-CSA 1x0,5mm ² AWG20 (Red) + UL-CSA 1x0,5mm ² AWG20 (Black) L. 0,5 m.
Weigth	42 g
Installations	Recessed (wall, ceiling) with stainless syeel springs
Norms	60598-1 ; 60598-2 and its parts



NOTE:

Power supplies, control&dimming devices and fixing kits must to be orderd separately. Aldabra power supply consumption is equal to 15% of the fixture nominal power.
Photometric data available at www.aldabra.it

ADHARA Monochromatic DATA-SHEET

GENERAL FEATURES:

	power @350 mA	power @500 mA
ADH.01.XXXXX.X	1W	1,5W

OPTICAL FEATURES:

ADH.XX.MXXXX.X	Narrow beam 13°
ADH.XX.WXXXX.X	Wide beam 35°

LED FEATURES:

	Power LED	lm/W	Ra	Chromatic selection
ADH.XX.X27XX.X	2700K warm white	105	>80	MacAdam 2-step
ADH.XX.X30XX.X	3000K warm white	118	>80	MacAdam 2-step
ADH.XX.X40XX.X	4000K neutral white	130	>80	MacAdam 2-step

FINISHES FEATURES:

ADH.XX.XXXA1.X	Aluminium anodized
ADH.XX.XXXW1.X	Matt white

GENERAL INFORMATIONS:

Kindly note that atmospheric agents (such as lightnings, etc) , electrostatics charges or disturbances on the installation not caused by Aldabra lighting fixtures and Led drivers indicated by Aldabra itself, may cause damages on the fixtures. It is necessary that the electrical installation where the LED lighting fittings and their power supply units and control gears are installed must be equipped with proper devices for the protection and suppression of transient phenomena (SPD, isolation transformer, etc...). Such devices must to be coordinated with the other protections of the installation; on this theme, it's necessary to refer to the electrical installations norms which are in force in each country.